



Products

DEFENCE & SECURITY WINCH

AC WINCH

AUTOMOTIVE WINCH

- Self-Recovery Winch (Seal Series)
- Self-Recovery Winch (DV Series)
- Championship Winch (Blazer)
- Rock Sports Winch
- Utility Duty Winch
- Accessory
- Discontinued Products

POWERSPORTS WINCH

INDUSTRIAL WINCH

CHAIN HOIST

Home > Products > AUTOMOTIVE WINCH > Self-Recovery Winch (Seal Series) > Seal Gen2 9.5si

Products

SHARE    



Seal Gen2 9.5si

- 12V DC severe duty winch rated at 9,500 lb pulling meets or exceeds your expectations.
- Heavy duty series wound motor equipped with thermal switch alters when motor over-heating.
- 4 equally positioned pin holes with a stainless steel ergonomic T-handle make it possible to reposition in 90 degree increments.
- Water-proof remote control with thermometric LED indicator w/5 m cord.
- Cutout switch activates and deactivates the winch.
- A 12 strand construction synthetic rope coated to improve abrasion and has no water absorption.
- Tough aluminum die cast housings withstand strength of 2.0 x rated load of winch
- The U.S. Germany, U.K. France, etc patented mechanical cone brake outside the drum expedites heat dispersion and also makes the winch ideal for use with synthetic rope.
- Meet SAE J706, CE Machinery Directive 2006/42/EC and CE Electromagnetic Compatibility Directive 2004/108/EC.

Specification/Part Numbers

- **Part number:** PN 295880
- **Rated line pull:** 4,309 kg / 9,500 lb single line
- **Motor:** 3,730 w / 5.0 hp 12V series wound
- **Gear ratio:** 3-stage planetary 159:1
- **Clutch (freespooling):** Rotating ring gear
- **Brake (outside the drum):** Automatic, full load CBS (Cone Brake Structure)
- **Winch construction:** Aluminum die cast housings with steel drum
- **Drum size:** 63.5 x 227 x 273 mm (2.5" x 8.9" x 10.7")
- **Control:** Waterproof remote with thermometric indicator LED w/ 5 m (17') cord
- **Rope type:** Synthetic rope SK-75
- **Rope size:** 10 mm x 30.5 m (3/8" x 100')
- **Mounting bolts pattern:** 254 x 114 mm (10" x 4.5")
- **Mounting :** Foot forward or foot down mounting workable
- **Finish :** Matte black powder-coated
- **Winch weight (including rope) :** 32 kg / 70.5 lb
- **Gross weight :** 44.5 kg / 97.9 lb
- **Box dimension, (L x D x H) :** 682 x 209 x 430 mm (26.8" x 8.2" x 16.9")

**Intelligence Dashboard (IDB) -
Included on Seal Gen2 9.5i/9.5si/9.5rsi
Models**



Vehicle Battery Life

The Intelligence Dashboard (IDB) displays the battery condition of your vehicle.



Wireless Remote Control Icon - Seal Gen2 9.5rsi Only



Wireless Signal Icon

The Intelligence Dashboard (IDB) includes a blue wireless signal icon that is continuously illuminated to confirm the wireless remote is paired with the winch.

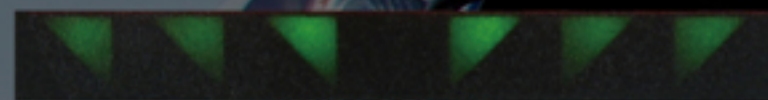


Wireless Signal Strength

The solid green LED on the wireless transmitter indicates good signal strength, but a flashing red LED indicates a weak signal.

Cable IN/OUT Direction Indicators

The green triangle icons on the Intelligence Dashboard (IDB) will light sequentially to indicate the rope winding direction. The green triangles will turn to red triangles if the motor is over-heating.



Thermal Protection



Temperature Warning

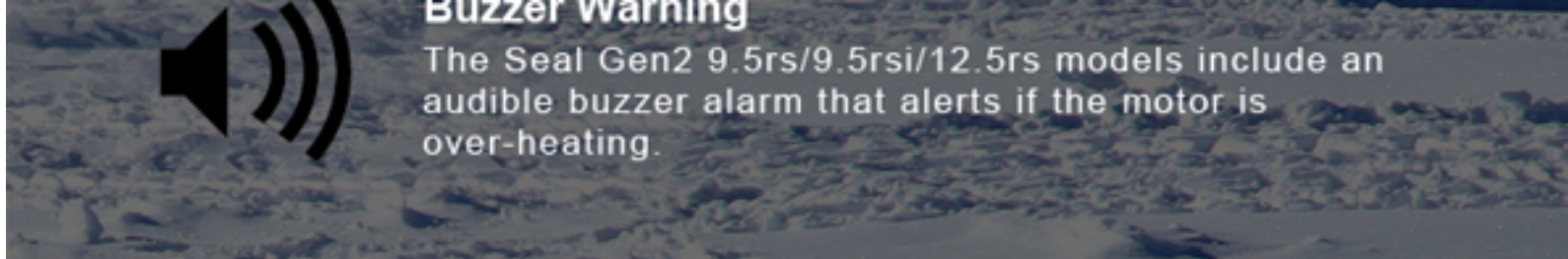
The flashing red temperature icon on the Intelligence Dashboard (IDB) indicates the motor is over-heating.



Handheld Remote Warning

The two green LED indicators on the wired remote control will change to red if the motor is over-heating.





Line Speed and Amp. Draw (1st layer of rope on the drum):

Line Pull, kg / lb	Line Speed, mpm / fpm	Amp, Draw, A
		12V
No load	19.3 / 63.3	60
907 / 2,000	4.8 / 15.7	115
1,814 / 4,000	3.6 / 11.8	210
2,722 / 6,000	2.8 / 9.2	245
3,629 / 8,000	2.3 / 7.6	280
4,309 / 9,500	2.2 / 7.2	380

Line Pull and Rope Capacity:

Layer of Rope	Pull by layer, kg / lb	Total Rope on the Drum, m / ft
1 st	4,309 / 9,500	5.1 / 16.7
2 nd	3,472 / 7,655	11.7 / 38.4
3 rd	2,908 / 6,410	19.7 / 64.6
4 th	2,501 / 5,514	30.5 / 100

Warning

Winches are not to be used for the lifting or moving of persons.
The rated line pull shown is based on the first layer of rope on the drum.
The rope winding on the drum shall remain 10 wraps from the drum.

Warranty

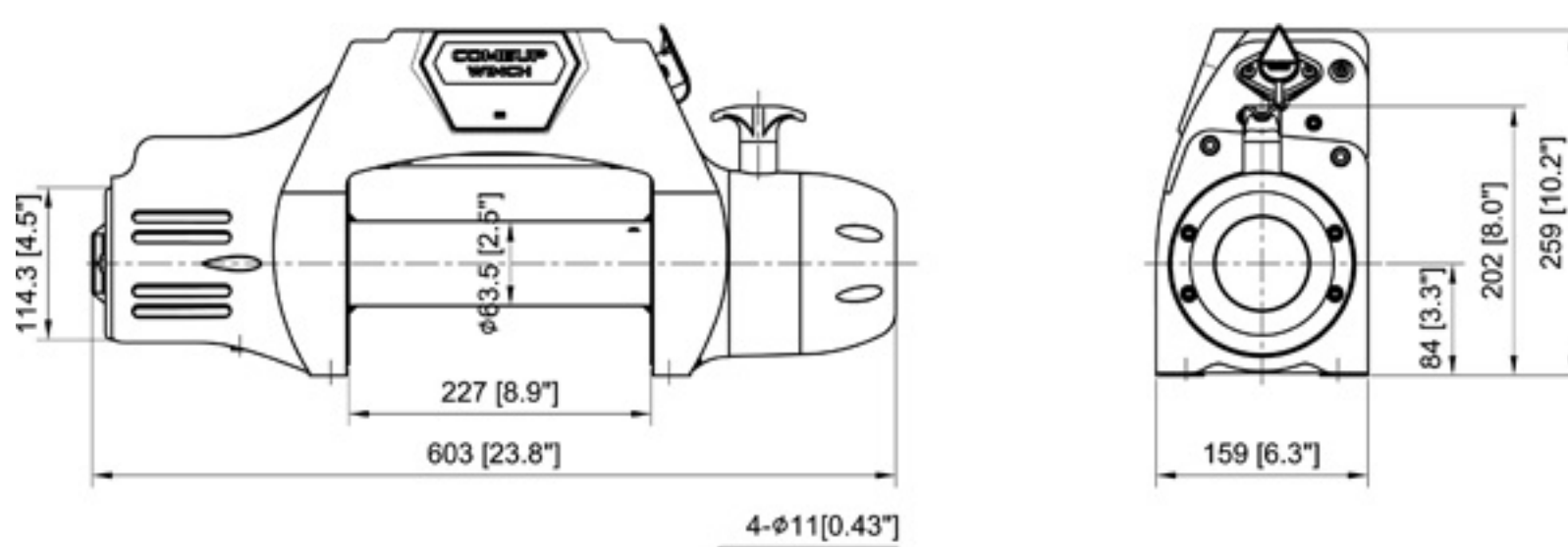
Each new winch is guaranteed against defects in workmanship and material defects for a stipulate period from date of purchase.

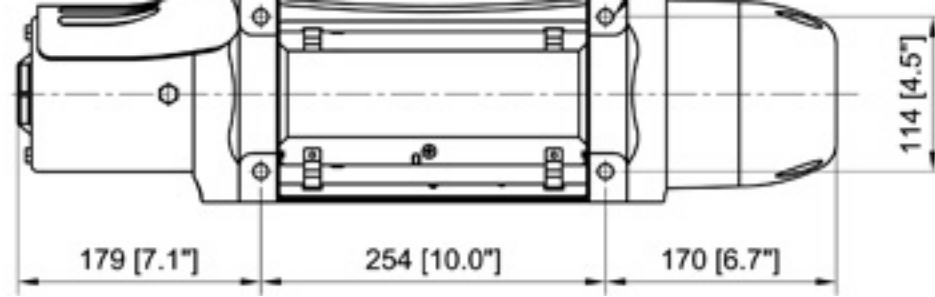
*Automotive Winch: Limited lifetime warranty for mechanical components,

New Seal Gen2 Series winch a three (3) years warranty for electrical components,

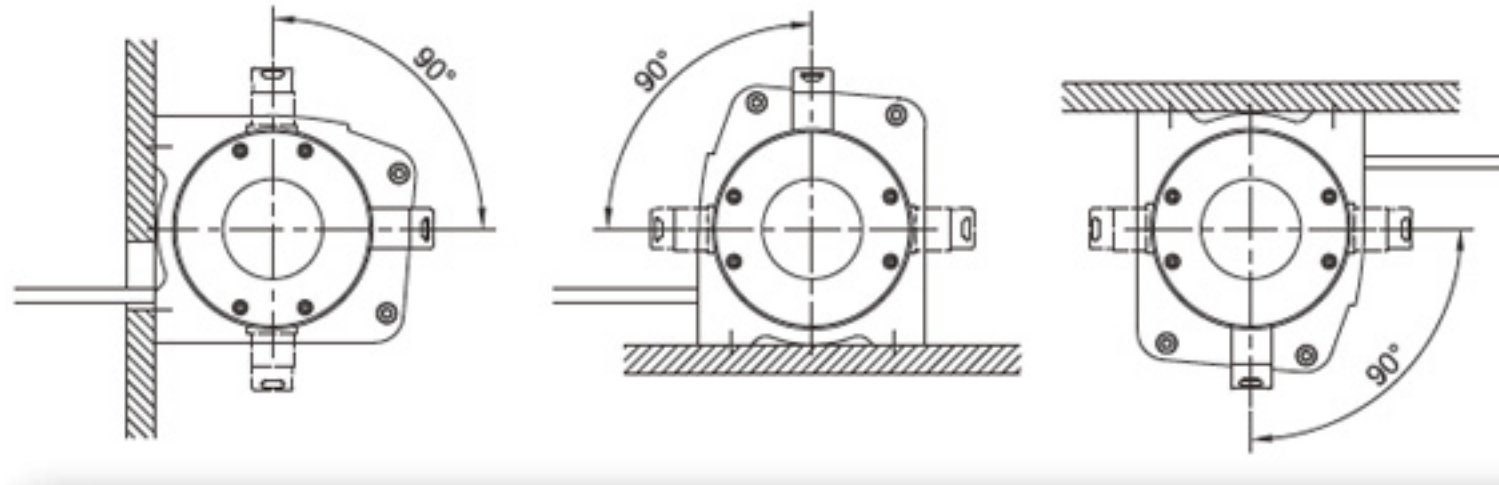
WIRE/SYNTHETIC ROPES ARE NOT INCLUDED UNDER WARRANTY.

Dimension, mm/in:





- 4 equally positioned pin holes ensure seamless clutch transmission and make it easily rotate by 90° increments.



Accessories:

Standard Accessories	Option Accessories
<ul style="list-style-type: none"> • Hawse fairlead • Remote control w/5 m (17') cord • Bridge control box • Synthetic rope w/sling hook • 1.8 m (6') 2 gauge battery lead • Handsaver strap 	<ul style="list-style-type: none"> • Winch accessory kit

[GO TOP](#)

[Download](#)

Seal Gen2 9.5si Operation Manual	2015-04-30	PDF, 0.27 MB	Download
----------------------------------	------------	--------------	--------------------------