

**READ ME !**

Thank you for purchasing a Front Runner Antenna Mount.

Before you start, take a moment to familiarize yourself with the Fitting Instructions and the components received.

Refer to Page 2 for a list of all the components, quantities and tools required.

**NOTE:** Front Runner will not be responsible for any damage caused by the failure to install the product according to these instructions. Please call us if you have any questions about the installation of this product.

**IMPORTANT WARNING!**

FRONT RUNNER CAN NOT RECOMMEND A MAXIMUM LOAD CARRYING CAPACITY. PLEASE REFER TO YOUR VEHICLE MANUFACTURER'S RECOMMENDATIONS. IT IS CRITICAL THAT ALL FRONT RUNNER PRODUCTS BE PROPERLY AND SECURELY ASSEMBLED AND ATTACHED TO YOUR VEHICLE. IMPROPER ATTACHMENT COULD RESULT IN AN AUTOMOBILE ACCIDENT, AND COULD CAUSE SERIOUS BODILY INJURY OR DEATH. YOU ARE RESPONSIBLE FOR ASSEMBLING AND SECURING ALL FRONT RUNNER PRODUCTS TO YOUR VEHICLE. CHECKING THE ATTACHMENTS PRIOR TO USE, AND PERIODICALLY INSPECTING THE PRODUCTS FOR ADJUSTMENT, WEAR AND DAMAGE. THEREFORE YOU MUST READ AND UNDERSTAND ALL OF THE INSTRUCTIONS AND PRECAUTIONS SUPPLIED WITH YOUR FRONT RUNNER PRODUCT PRIOR TO INSTALLATION OR USE. IF YOU DO NOT UNDERSTAND ALL OF THE INSTRUCTIONS AND CAUTIONS, OR IF YOU HAVE NO MECHANICAL EXPERIENCE AND ARE NOT THOROUGHLY FAMILIAR WITH THE INSTALLATION PROCEDURES, YOU SHOULD HAVE THE PRODUCT INSTALLED BY A PROFESSIONAL INSTALLER OR OTHER QUALIFIED PERSONNEL.

# 1

## GET ORGANIZED

### IN THE BOX

1	1 X	Antenna Mount
2	1 X	Antenna Base Plate
3	2 X	M6 x 12 x 1SS Flat Washer
4	2 X	M6 Nyloc
5	2 X	M6 Nut Cap
6	3 X	M8 x 20 Button Head Bolt
7	3 X	M8 x 16 x 1.6SS Flat Washer
8	3 X	M8 Nyloc Nuts

### TOOLS NEEDED

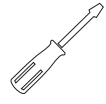
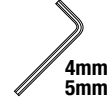
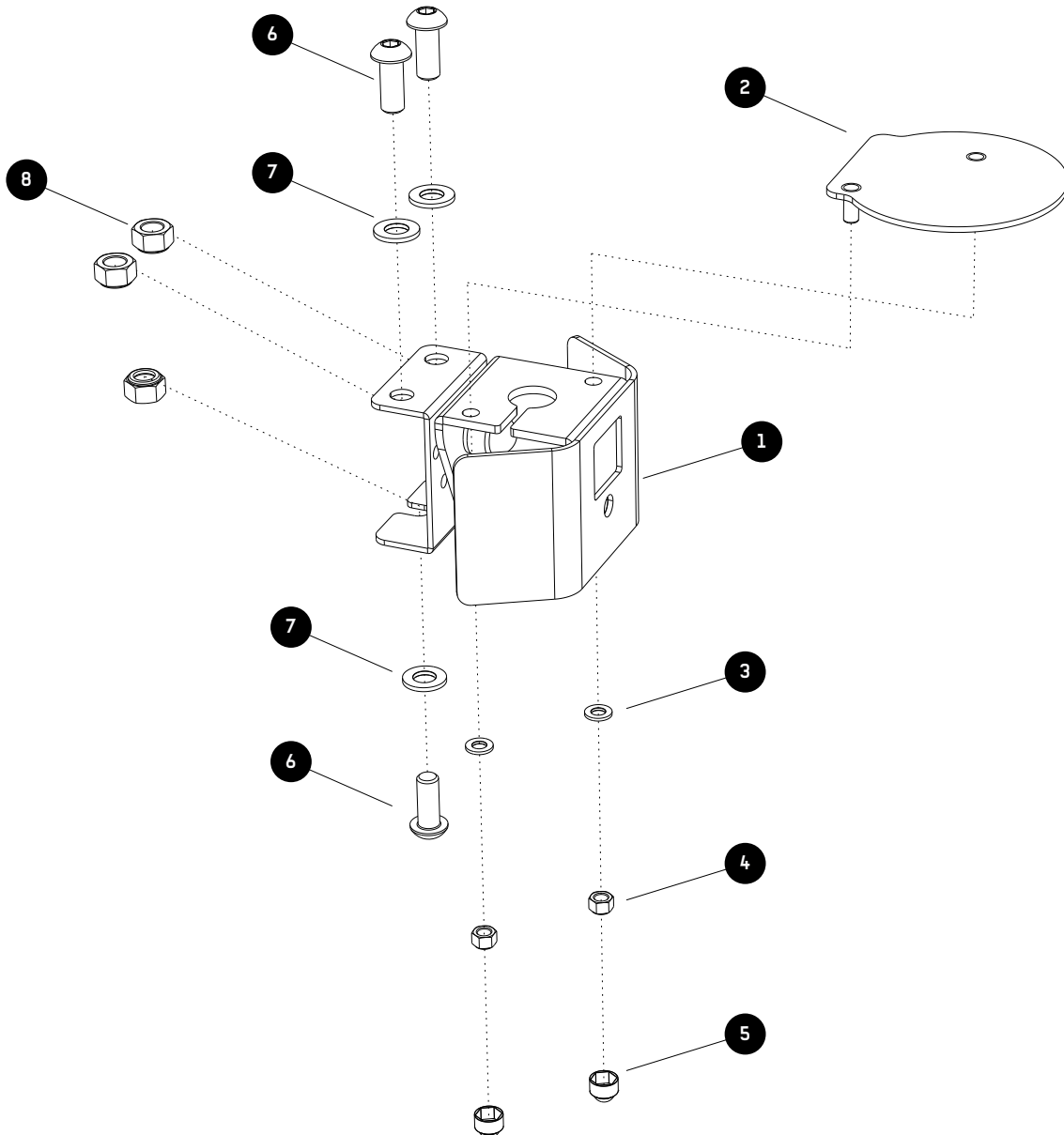
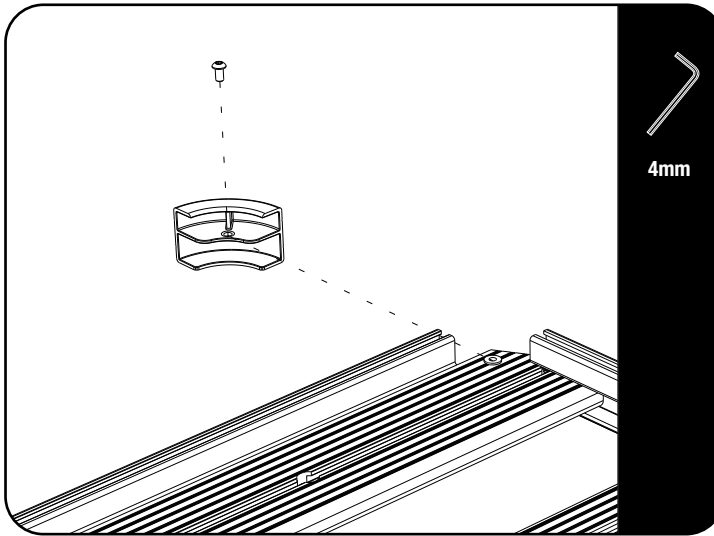


FIGURE 1.1



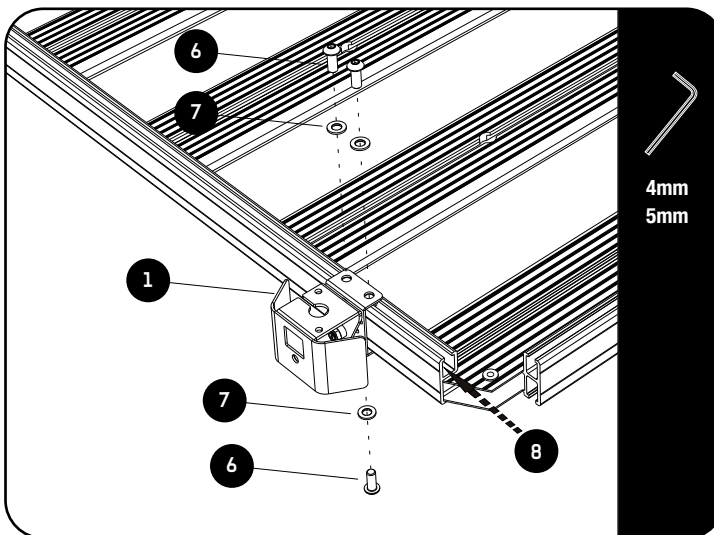
**2****PREPARATION**

2.1



Decide where on the Side Profile you would like to mount your antenna. Remove the corner closest to that position.

2.2



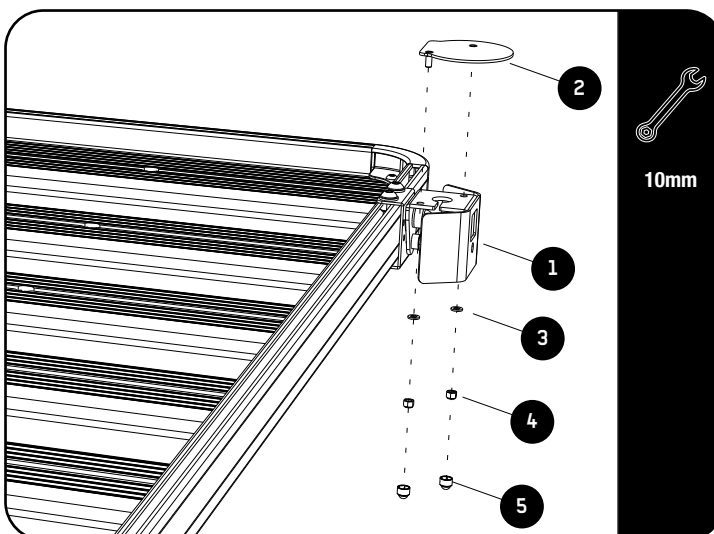
Slide 2 M8 Nyloc Nuts (Item 8) into the Side Profile. Place the Antenna Mount (Item 1) over the Side Profile as shown. Loosely secure the Antenna Mount at the top using M8 x 20 Button Head Bolts and M8 x 16 x 1.6SS Flat Washers (Items 6 & 7).

Align the bottom slot in the Antenna Mount with the bottom hole in the Side Profile.

Using a M8 x 20 Button Head Bolt and M8 x 16 x 1.6SS Flat Washer Secure the Antenna Mount to the Side Profile.

Fully tighten all the bolts and refit the corner.

2.3



If you have a antenna with a magnetic base you will need the fit the Antenna Base Plate (Item 2) using M6 Nyloc Nuts and M6 x 12 x 1SS Flat Washers (Items 3 & 4) as shown.

Place M6 Nut Caps (Item 5) on the Nyloc Nuts after tightening.

3

## COMPLETION

3.1



Congratulations! You did it. Take a step back and admire your work!

4

## INSTALL OTHER VEHICLE AND RACK ACCESSORIES

Now's the time to visit your favorite Front Runner Dealer in person or Online.

Be sure to tag us. We love to see our gear in action! #FrontRunnerOutfitters #BornToRoam

Share your adventures on: 