

READ ME ! ⚠

Thank you for purchasing a Front Runner Thule Rapid Foot System Adaptor Plates

Before you start, take a moment to familiarize yourself with the Fitting Instructions and the components received.

Refer to Page 2 for a list of all the components, quantities and tools required.

IMPORTANT WARNING! ⚠

FRONT RUNNER CAN NOT RECOMMEND A MAXIMUM LOAD CARRYING CAPACITY. PLEASE REFER TO YOUR VEHICLE MANUFACTURER'S RECOMMENDATIONS. IT IS CRITICAL THAT ALL FRONT RUNNER PRODUCTS BE PROPERLY AND SECURELY ASSEMBLED AND ATTACHED TO YOUR VEHICLE. IMPROPER ATTACHMENT COULD RESULT IN AN AUTOMOBILE ACCIDENT, AND COULD CAUSE SERIOUS BODILY INJURY OR DEATH. YOU ARE RESPONSIBLE FOR ASSEMBLING AND SECURING ALL FRONT RUNNER PRODUCTS TO YOUR VEHICLE. CHECKING THE ATTACHMENTS PRIOR TO USE, AND PERIODICALLY INSPECTING THE PRODUCTS FOR ADJUSTMENT, WEAR AND DAMAGE. THEREFORE YOU MUST READ AND UNDERSTAND ALL OF THE INSTRUCTIONS AND PRECAUTIONS SUPPLIED WITH YOUR FRONT RUNNER PRODUCT PRIOR TO INSTALLATION OR USE. IF YOU DO NOT UNDERSTAND ALL OF THE INSTRUCTIONS AND CAUTIONS, OR IF YOU HAVE NO MECHANICAL EXPERIENCE AND ARE NOT THOROUGHLY FAMILIAR WITH THE INSTALLATION PROCEDURES, YOU SHOULD HAVE THE PRODUCT INSTALLED BY A PROFESSIONAL INSTALLER OR OTHER QUALIFIED PERSONNEL.

1 GET ORGANIZED

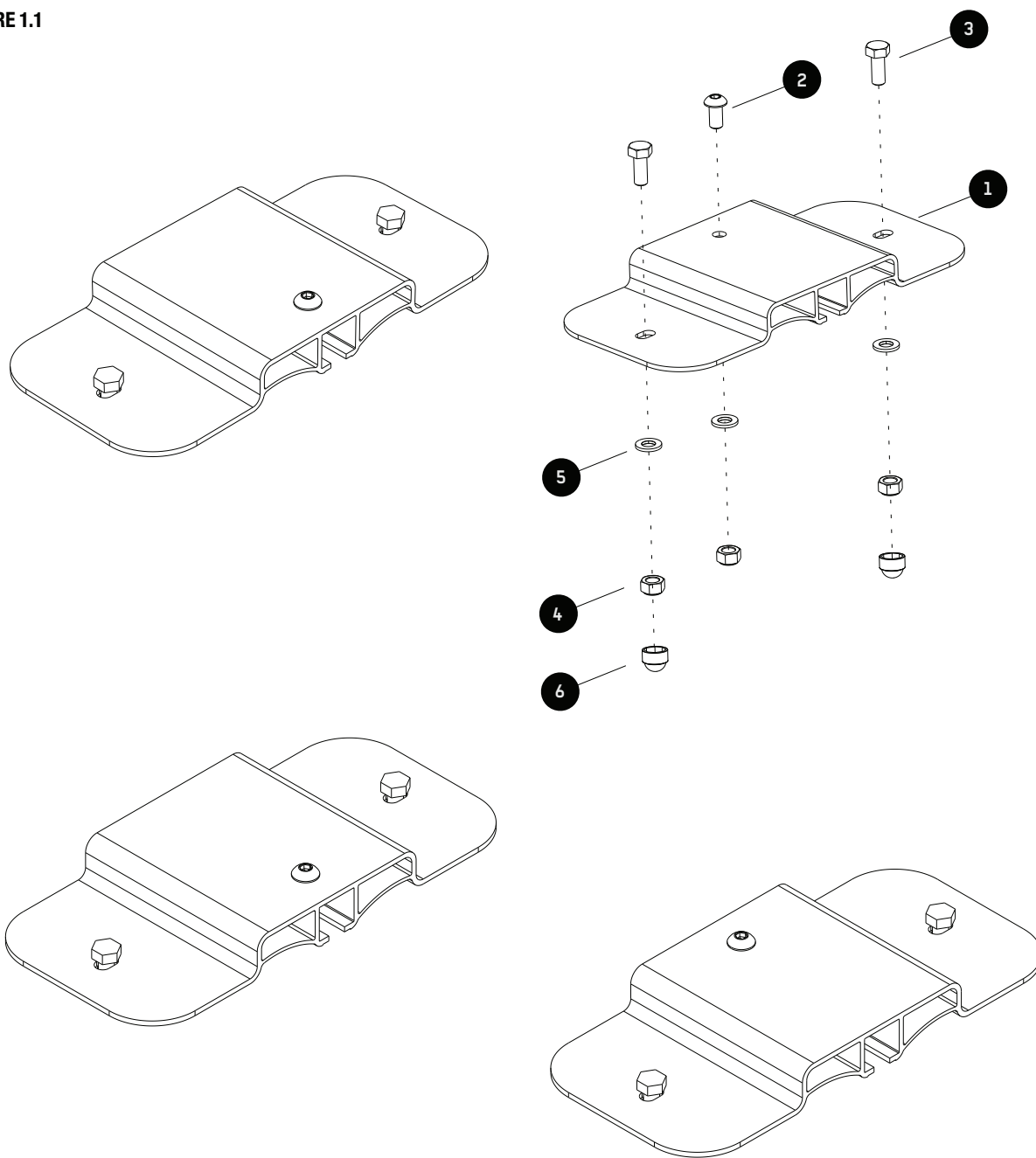
IN THE BOX

1	4 X	Thule Rapid Foot System Adaptor Plates
2	4 X	M8 x 16 Button Head Bolt
3	8 X	M8 x 20 Hex Bolt
4	12 X	M8 Nyloc Nut
5	12 X	M8 Flat Washer
6	8 X	M8 Nut Cap

TOOLS NEEDED

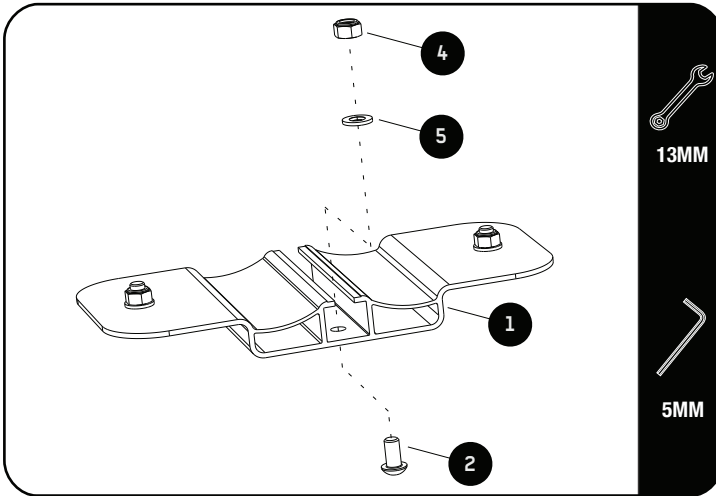


FIGURE 1.1



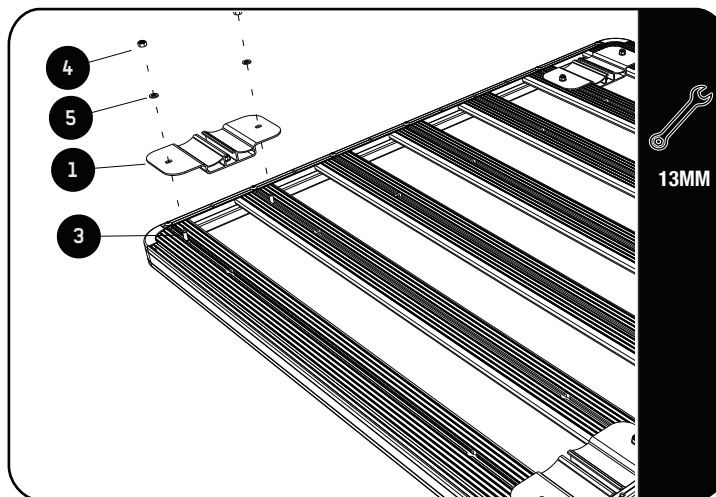
2**FIT AND SECURE**

2.1



Insert and fasten the M8 x 16 Button Head Bolts (Item 2) to the Adaptor Plates (item 1) using the M8 Nyloc Nuts and M8 x 16 x 1SS Flat Washers. (Items 4 & 5)

2.2



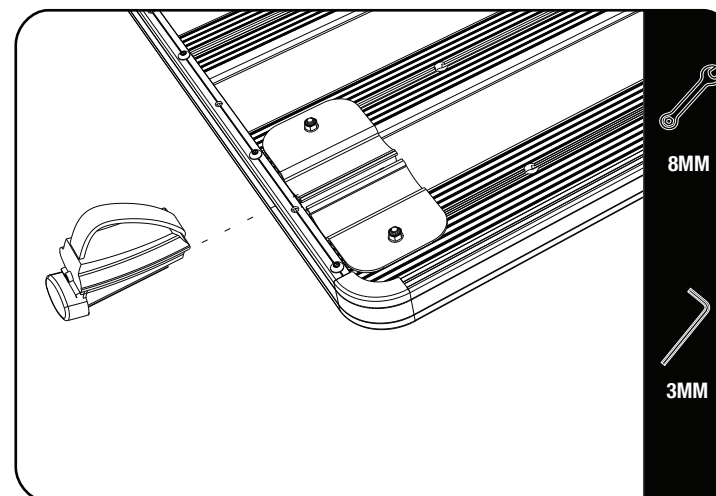
Insert a M8 x 20 Hex Bolt (Item 3) into each of the required Slats using the Machined Slots as shown.

Place the Adaptor Plate (Item 1) over the Hex Bolts and loosely fasten using M8 Flat Washers and M8 Nyloc Nuts (Items 5 & 4).



The Button Head Bolts must face inward. The assembly should still be able to slide.

2.3



Unlock and remove the Locking Handle of the Strap-On-Foot. Loosen the M6 Socket Head Screw using the Allen Key supplied with the Strap-On-Foot. You will see that this will loosen the Strap of the Foot.

Remove one end of the Strap. Slide the Thule Rapid Foot into the Adaptor Plate channel up to the Button Head Bolt. (Item 2)

2 FIT AND SECURE

2.4



Flip the Rack over so that the Strap-On-Feet are below the Rack. Place the Rack on your vehicle so that the Strap-On-Feet are positioned on the Raised Rails of the vehicle as shown in 2.4

Wrap the Straps around the Raised Rails and refit the loose end into the Rapid Foot as removed in Step 2.3.

Fully tighten the Strap by using the Allen Key on the Locking Handle.

Before fully tightening the Adaptor Plates, center the rack on your vehicle.

Finally, make sure that all four of the Adaptor Plates are fully tightened. Place M8 Nut Caps (Item 6) over all the Nyloc Nuts.

3 COMPLETION

3.1



Congratulations! You did it. Take a step back and admire your work!

4 Front Runner will not be responsible for any damage caused by the failure to install the product according to these instructions. Please call us if you have any questions about the installation of this product.

5 INSTALL OTHER VEHICLE AND RACK ACCESSORIES

Now's the time to visit your favorite Front Runner Dealer in person or Online.

Be sure to tag us. We love to see our gear in action! #FrontRunnerOutfitters #BornToRoam

Share your adventures on: 