

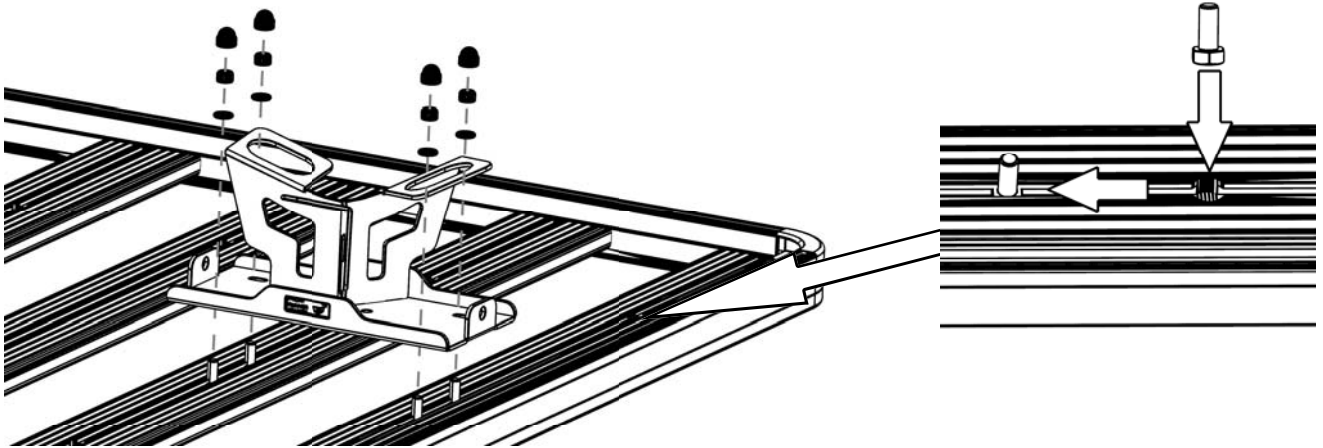


**INSTALL TIME: 5 Mins**

You will need: 13 mm Flat Wrench

# 1 MOUNTING YOUR POTJIE POT HOLDER & POT

- (A) Decide where on your Rack you would like to mount your Potjie Pot Holder. The Holder needs to mount across two slats as shown below. On each of the chosen slats, slide two M8 x 20 Hex Bolts into the Slats T-channel through the machined slots as illustrated. Place the Holder over the Hex Bolts and position the Holder from left to right as required. Secure the Holder in position using four M8 Flat Washers and Four M8 Nyloc Nuts. Place a plastic Nut Cap over each of the Nyloc Nuts.



- (B) Place the Potjie Pot into the holder and secure in position using the Ratchet Strap supplied as shown.

