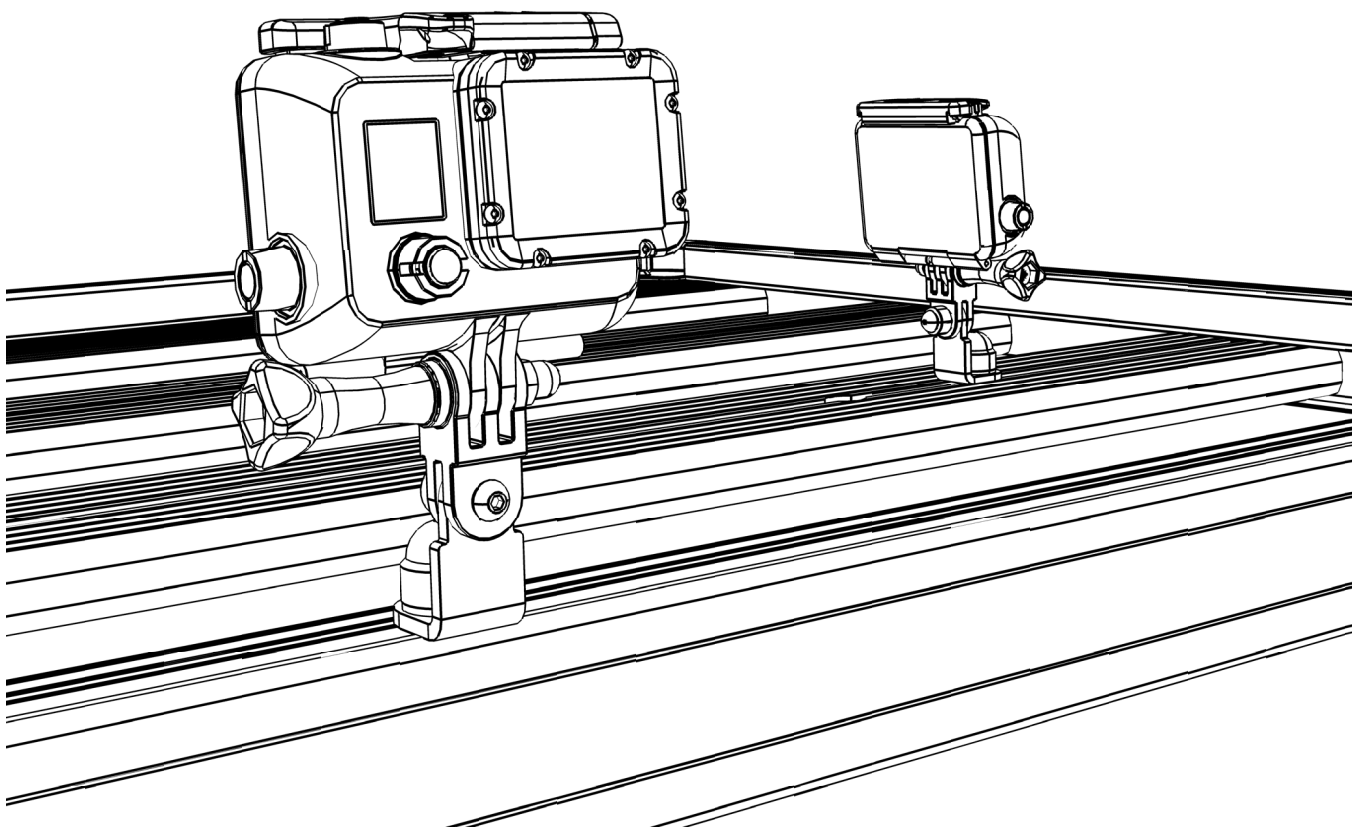


**INSTALL TIME: 15 mins**

IMPORTANT WARNING!

IT IS CRITICAL THAT ALL FRONT RUNNER PRODUCTS BE PROPERLY AND SECURELY ASSEMBLED AND ATTACHED TO YOUR VEHICLE. IMPROPER ATTACHMENT COULD RESULT IN AN AUTOMOBILE ACCIDENT, AND COULD CAUSE SERIOUS BODILY INJURY OR DEATH TO YOU OR TO OTHERS. YOU ARE RESPONSIBLE FOR ASSEMBLING AND SECURING ALL FRONT RUNNER PRODUCTS TO YOUR VEHICLE, CHECKING THE ATTACHMENTS PRIOR TO USE, AND PERIODICALLY INSPECTING THE PRODUCTS FOR ADJUSTMENT, WEAR, AND DAMAGE. THEREFORE, YOU MUST READ AND UNDERSTAND ALL OF THE INSTRUCTIONS AND CAUTIONS SUPPLIED WITH YOUR FRONT RUNNER PRODUCT PRIOR TO INSTALLATION OR USE. IF YOU DO NOT UNDERSTAND ALL OF THE INSTRUCTIONS AND CAUTIONS, OR IF YOU HAVE NO MECHANICAL EXPERIENCE AND ARE NOT THOROUGHLY FAMILIAR WITH THE INSTALLATION PROCEDURES, YOU SHOULD HAVE THE PRODUCT INSTALLED BY A PROFESSIONAL INSTALLER OR OTHER QUALIFIED PERSONNEL.

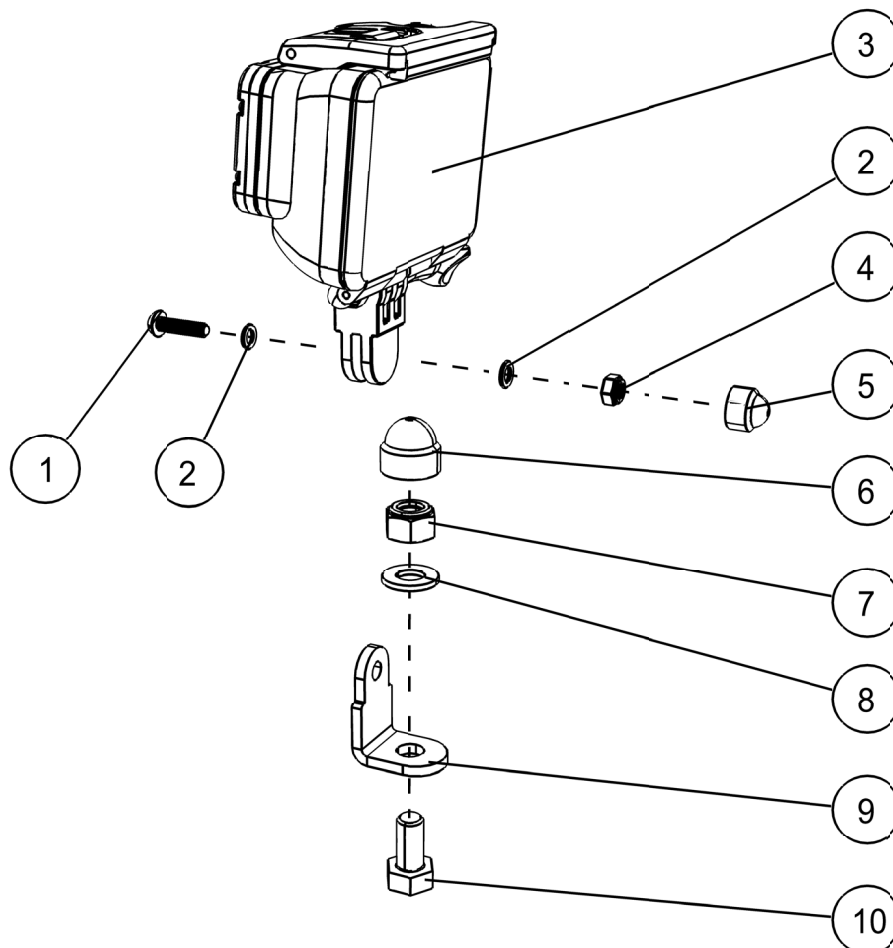
1 GET ORGANIZED...

Here is what you are looking at:

Item #	Quantity	Description
1	1	M5x16 BUTTON HD SOCKET SCREW
2	2	M5 FLAT WASHER
3	1	GoPro HOUSING AND PIVOT ARM
4	1	M5 NYLOC HEX NUT
5	1	M5 PLASTIC BOLT CAP
6	1	M8 PLASTIC BOLT CAP
7	1	M8 NYLOC HEX NUT
8	1	M8 FLAT WASHER
9	1	ANGLE BRACKET
10	1	M8x16 HEX HEAD BOLT

You will need:

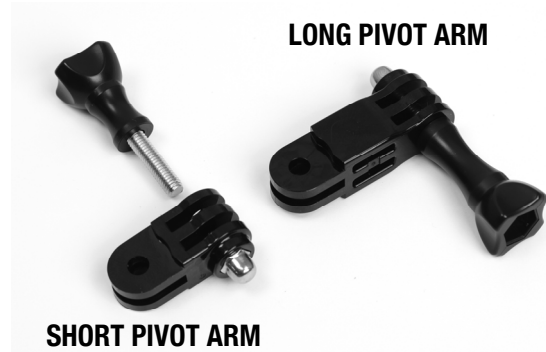
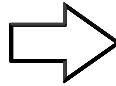
- 13 mm Flat or Socket Wrench
- 8 mm Flat or Socket Wrench
- 3 mm Hex Key



(A) Familiarize yourself with the parts and then step away from the work area and read through these instructions from beginning to end. Take a moment as a little prep now may save you a lot of time later.

2 RACK MOUNT ASSEMBLY

(A) Disassemble your three way pivot arm as shown below

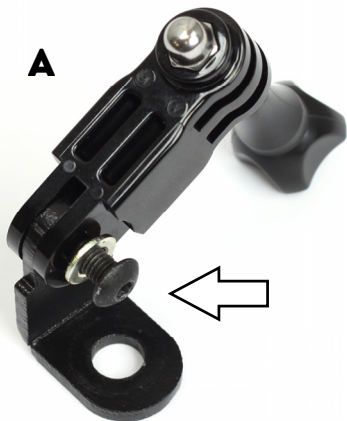


(B) Select your Short Pivot Arm from Step 2A and the Angle bracket (Item 9), push the Pivot Arm over the Angle bracket as shown.



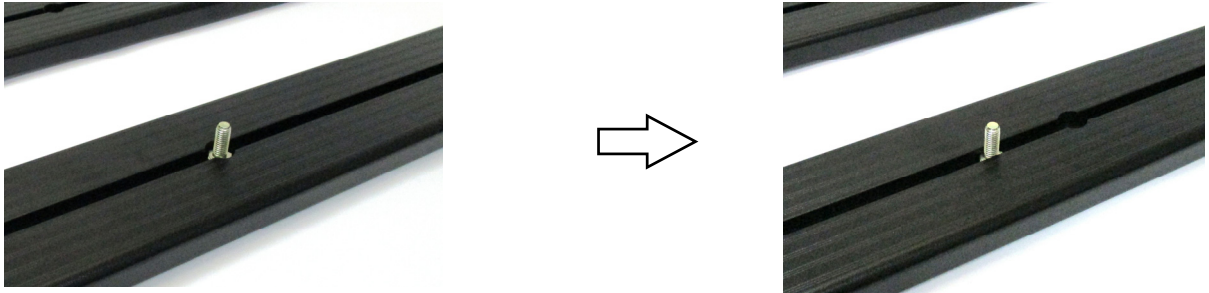
(C) Insert the M5 Button Head Screw and M5 Flat Washer (Items 1,2) from the inside of the Angle bracket, as per (Image A). Screw the M5 Nyloc Hex Nut (Item 4) and second Flat washer on to the Button Head Screw as per (Image B). Tighten firmly with a Hex key and 8mm Wrench. Finish off by pushing the M5 Nut Cap (Item 5) over the Nyloc Hex Nut as per (Image C)

Now you can attach your GoPro Housing to the pivot arm.

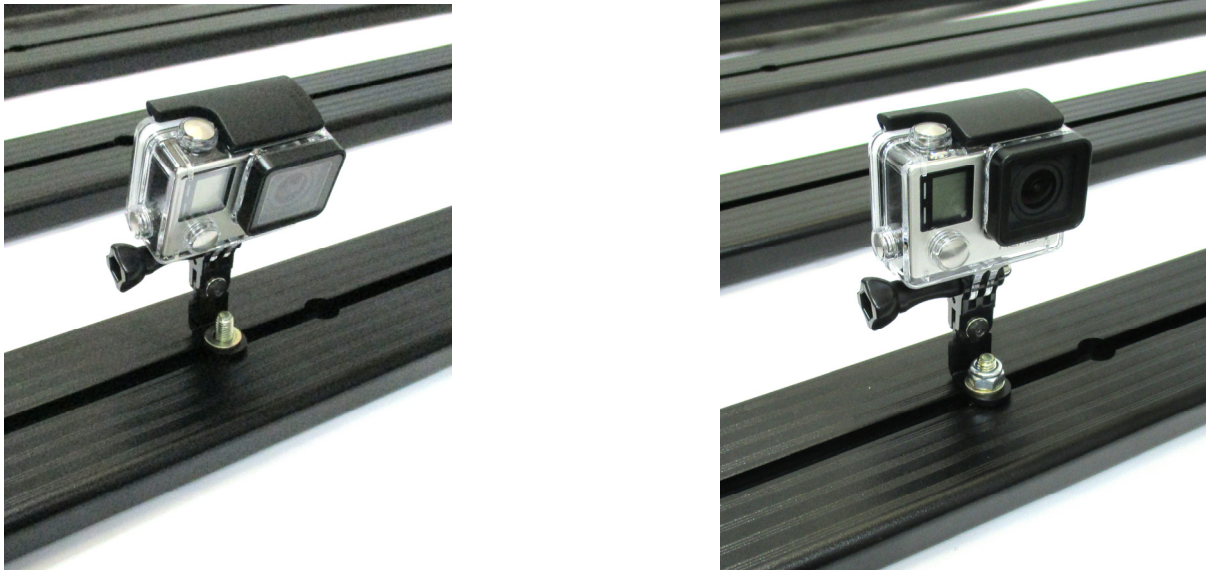


3 MOUNTING ON TO SLAT

- (A) Place the M8 Hex Bolt (Item 10) into the desired slat opening of your Front Runner Rack.



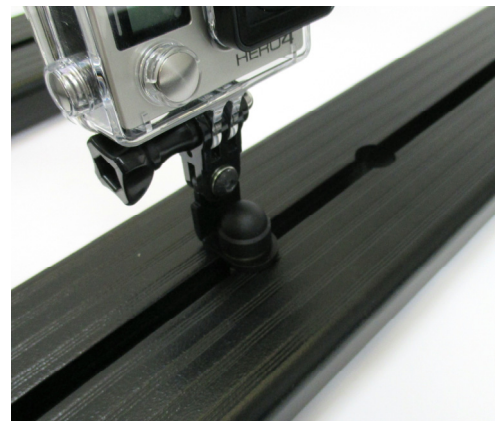
- (B) Have the supplied M8 Nyloc Hex Nut and M8 Flat Washer (Item 7,8) in hand with the assembled mounting bracket from Step2C. Place the foot of the mounting bracket over the Hex Bolt and secure with the M8 Flat Washer and M8 Nyloc Hex Nut.



- (C) Position as desired and tighten fully, now cover the Nyloc Hex Nut with the Plastic Bolt Cap (Item 6) to finish off the Job.

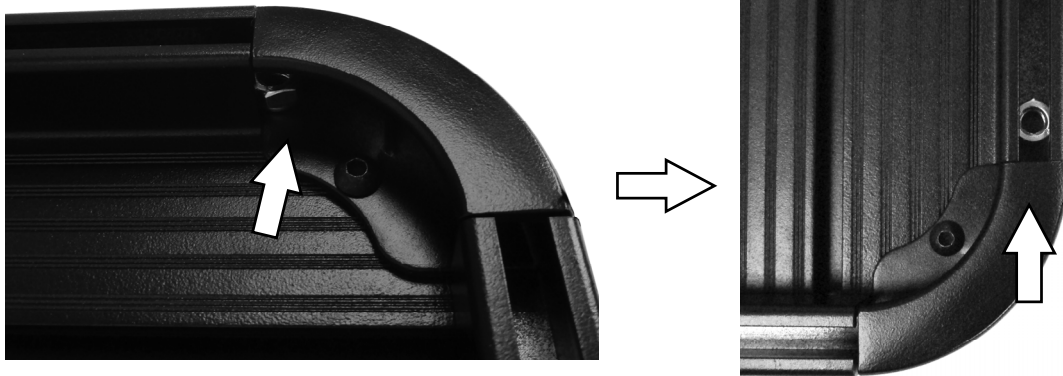
Congratulations you have just mounted your GoPro to your Front Runner Rack!

Alternatively move on to Step4 if you prefer to mount your GoPro on the side profile of your Front Runner Rack.



4 MOUNTING ON SIDE PROFILE

- (A) Insert a M8 Nyloc Hex Nut (Item 7) dome side down into the "U" of the side profile channel of the Rack through the gap in the corner as shown. Slide the Nyloc Hex Nut into the "U" channel.



- (B) Have the supplied M8 Hex Bolt and M8 Flat Washer (Item 10, 8) in hand with the assembled mounting bracket from Step 2C. Insert the Hex bolt through the Flat washer and foot of the mounting bracket. Screw the Hex Bolt into the M8 Nyloc Hex Nut from Step 4A.



- (C) Position as desired and tighten fully, cover the Hex Bolt Head with the M8 Plastic Nut Cap (Item 6).

Congratulations you have just mounted your GoPro to your Front Runner Rack!

