

READ ME !

Thank you for purchasing a Front Runner Rack Mount Precision Rifle Cradle.

Before you start, take a moment to familiarize yourself with the Fitting Instructions and the components received.

Refer to Page 2 for a list of all the components, quantities and tools required.

IMPORTANT WARNING!

IT IS CRITICAL THAT ALL FRONT RUNNER PRODUCTS BE PROPERLY AND SECURELY ASSEMBLED AND ATTACHED TO YOUR VEHICLE. IMPROPER ATTACHMENT COULD RESULT IN AN AUTOMOBILE ACCIDENT, AND COULD CAUSE SERIOUS BODILY INJURY OR DEATH. YOU ARE RESPONSIBLE FOR ASSEMBLING AND SECURING ALL FRONT RUNNER PRODUCTS TO YOUR VEHICLE, CHECKING THE ATTACHMENTS PRIOR TO USE, AND PERIODICALLY INSPECTING THE PRODUCTS FOR ADJUSTMENT, WEAR AND DAMAGE. THEREFORE, YOU MUST READ AND UNDERSTAND ALL OF THE INSTRUCTIONS AND PRECAUTIONS SUPPLIED WITH YOUR FRONT RUNNER PRODUCT PRIOR TO INSTALLATION OR USE. IF YOU DO NOT UNDERSTAND ALL OF THE INSTRUCTIONS AND CAUTIONS, OR IF YOU HAVE NO MECHANICAL EXPERIENCE AND ARE NOT THOROUGHLY FAMILIAR WITH THE INSTALLATION PROCEDURES, YOU SHOULD HAVE THE PRODUCT INSTALLED BY A PROFESSIONAL INSTALLER OR OTHER QUALIFIED PERSONNEL.

NOTE: Front Runner will not be responsible for any damage caused by the failure to install the product according to these instructions.

Please call us if you have any questions about the installation of this product.

1

GET ORGANIZED

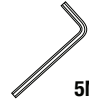
IN THE BOX

1	1 X	Rack Mount Precision Rifle Cradle
2	1 X	V-Yoke
3	4 X	M8 x 20 Hex Bolt
4	3 X	M8 Nylon Flat Washer
5	3 X	M8 x 16 x 1SS Flat Washer
6	3 X	M8 Nyloc Nut
7	3 X	M8 Nut Cap
8	1 X	M8 Eye Nut
9	1 X	M6 x 12 Button Head
10	1 X	M6 x 19 x 1SS Flat Washer
11	1 X	M8 PVC Washer
12	1 X	T-Slot Rubber x 100mm

TOOLS NEEDED

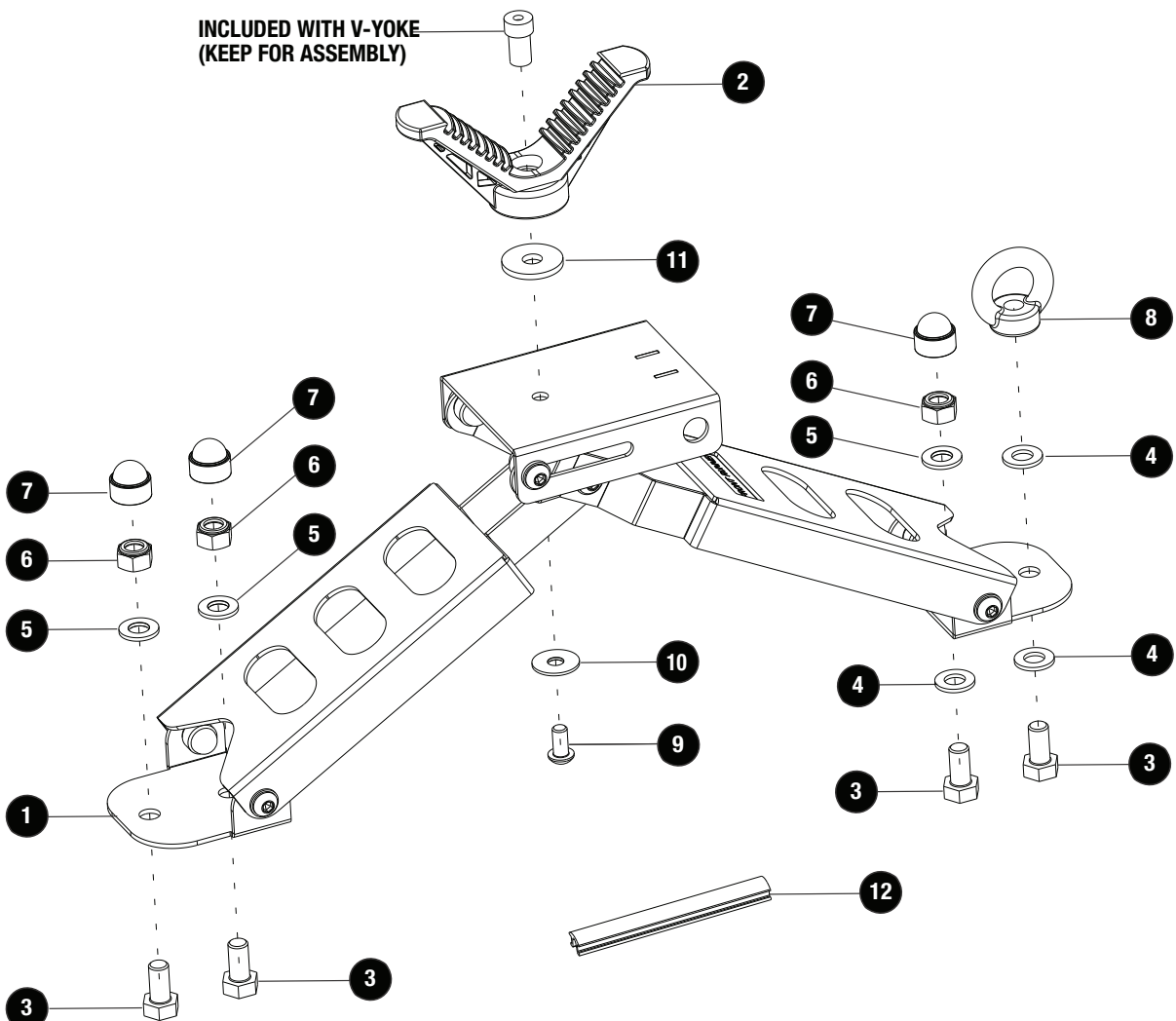


13MM



5MM X 2

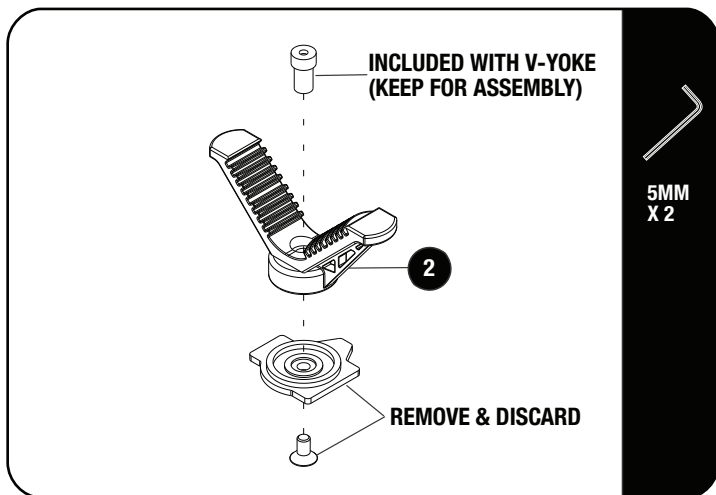
FIGURE 1.1



2

FIT AND SECURE

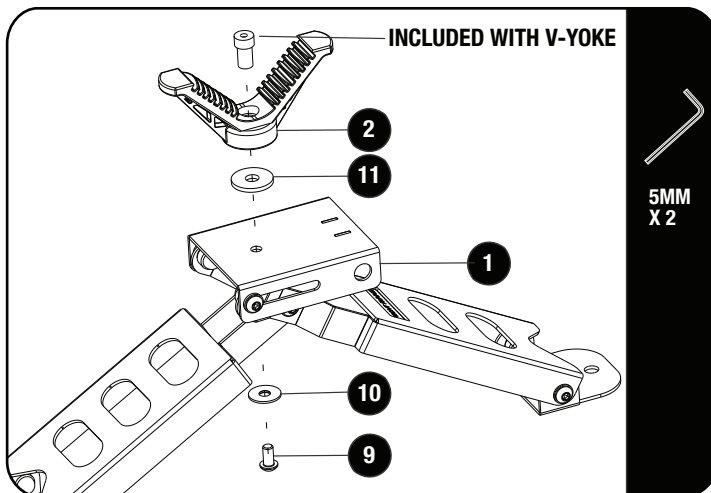
2.1



Using Two 5mm Allen Keys disassemble the V-Yoke as shown in figure 2.1.

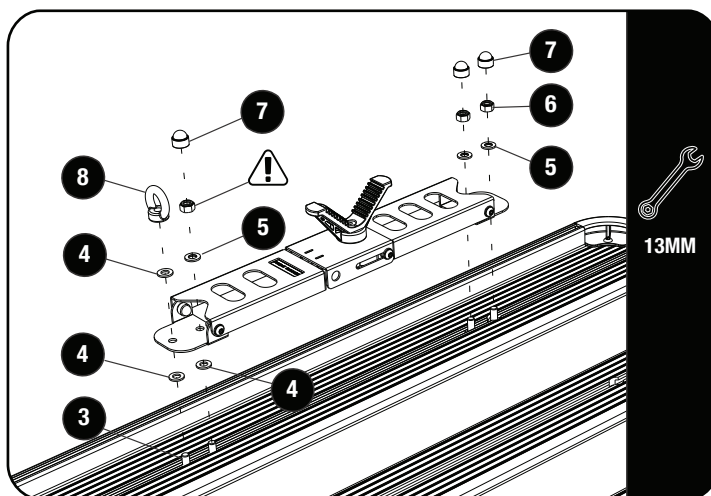
Remove and discard the base plate and counter sink screw. Keep the insert from the top of the assembly.

2.2



Assemble the V-Yoke (Item 2) with the included insert to the Mount (Item 1) using a M8 PVC Washer, M6 x 12 Button Head & M6 x 19 x 1ss Flat Washer (Item 11, 9 & 10)

2.3



Slide Four M8x20 Hex Bolts (Item 3) into the chosen slat and place two M8 Nylon Flat Washer (Item 4) over two M8x20 Hex Bolts as shown in figure 2.3.

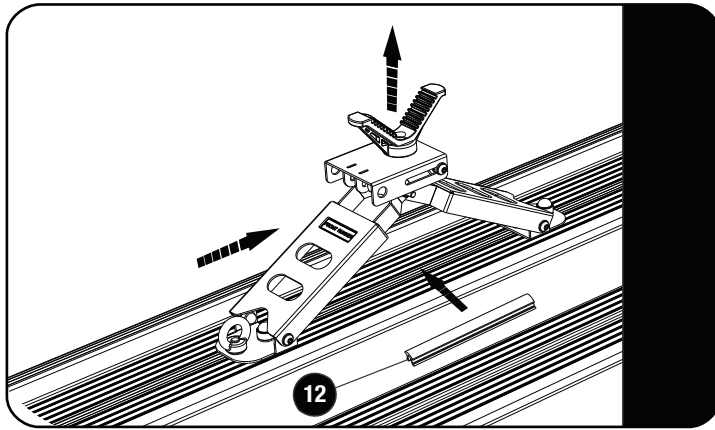
Position the Rifle Mount over the four bolts] and secure the the remaining M8x16x1SS Flat Washers, M8 Nyloc Nuts, M8 Nylon Flat Washer, M8 Eye Nut & M8 Nuts Caps as shown in figure 2.3 (Item 5, 6, 4, 8 & 7)



The M8 Nyloc Nut should NOT be fully tightened. It is used for securing the bracket but also allows the bracket to slide on the slat when adjusting the height.

2**FIT AND SECURE**

2.4



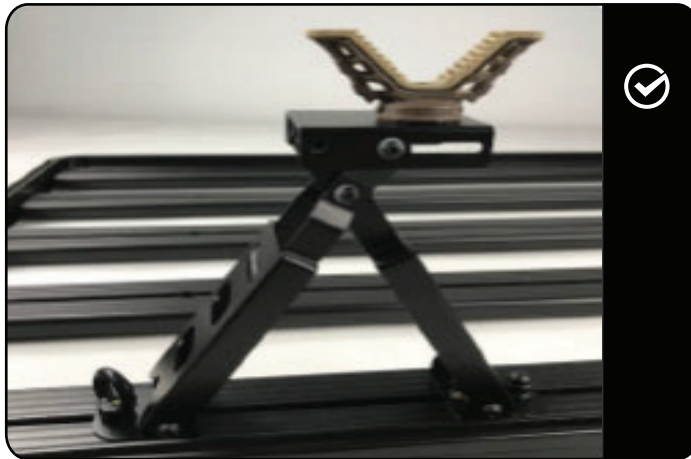
To adjust the height of the Cradle. Loosen the M8 Eye Nut (Item 8) and pull the V-Yoke upward.

Once the desired height has been achieved tighten the M8 eye Nut to secure it in position.

On the top side of the slat, insert the Rubber Extrusion (Item 12) in the T-Slot lining it up so that the top cradle sits ontop of the rubber when pushed down onto the slat.

3**COMPLETION**

3.1



Congratulations! You did it. Take a step back and admire your work!

4**INSTALL OTHER VEHICLE AND RACK ACCESSORIES**

Now's the time to visit your favorite Front Runner Dealer in person or Online.

WARNING!

There is no substitute for proper firearms safety. Observe safe firearm handling practices at all times while using this mount including but not limited to; keep gun away from unauthorized people and children, never mount your firearm in such a way that a person can walk in front of the barrel, never store firearms and ammunition together unsecured. For increased safety, keep guns unloaded and/or installed with a trigger lock. Know your local gun and gun accessories laws, especially while traveling. By using this mount, you agree that Front Runner Outfitters cannot be held liable for damage, injury or death to persons or property resulting from misuse of the product.

Be sure to tag us. We love to see our gear in action! #FrontRunnerOutfitters #BornToRoam

Share your adventures on: