

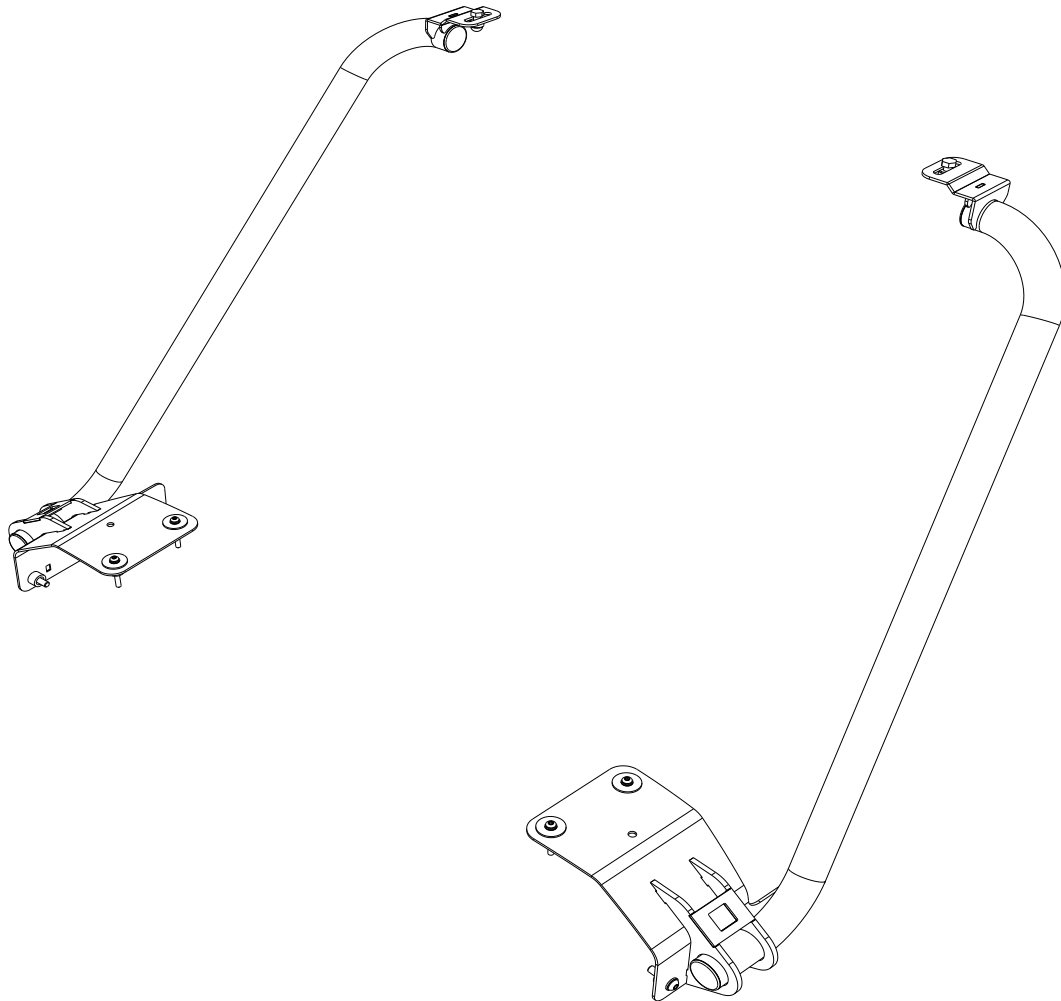


FRONT RUNNER
VEHICLE OUTFITTERS

JEEP WRANGLER JL (2018-CURRENT) FRONT BAR ROOF RACK MOUNT

ENG

FAJL004



READ ME !

Thank you for purchasing a Front Runner Jeep Wrangler JL Front Bar Roof Rack Mount.

Before you start, take a moment to familiarize yourself with the Fitting Instructions and the components received.

Refer to Page 2 for a list of all the components, quantities and tools required.

NOTE: Front Runner will not be responsible for any damage caused by the failure to install the product according to these instructions.

Please call us if you have any questions about the installation of this product.

IMPORTANT WARNING!

FRONT RUNNER CAN NOT RECOMMEND A MAXIMUM LOAD CARRYING CAPACITY. PLEASE REFER TO YOUR VEHICLE MANUFACTURER'S RECOMMENDATIONS. IT IS CRITICAL THAT ALL FRONT RUNNER PRODUCTS BE PROPERLY AND SECURELY ASSEMBLED AND ATTACHED TO YOUR VEHICLE. IMPROPER ATTACHMENT COULD RESULT IN AN AUTOMOBILE ACCIDENT, AND COULD CAUSE SERIOUS BODILY INJURY OR DEATH. YOU ARE RESPONSIBLE FOR ASSEMBLING AND SECURING ALL FRONT RUNNER PRODUCTS TO YOUR VEHICLE. CHECKING THE ATTACHMENTS PRIOR TO USE, AND PERIODICALLY INSPECTING THE PRODUCTS FOR ADJUSTMENT, WEAR AND DAMAGE. THEREFORE YOU MUST READ AND UNDERSTAND ALL OF THE INSTRUCTIONS AND PRECAUTIONS SUPPLIED WITH YOUR FRONT RUNNER PRODUCT PRIOR TO INSTALLATION OR USE. IF YOU DO NOT UNDERSTAND ALL OF THE INSTRUCTIONS AND CAUTIONS, OR IF YOU HAVE NO MECHANICAL EXPERIENCE AND ARE NOT THOROUGHLY FAMILIAR WITH THE INSTALLATION PROCEDURES, YOU SHOULD HAVE THE PRODUCT INSTALLED BY A PROFESSIONAL INSTALLER OR OTHER QUALIFIED PERSONNEL.

1

GET ORGANIZED

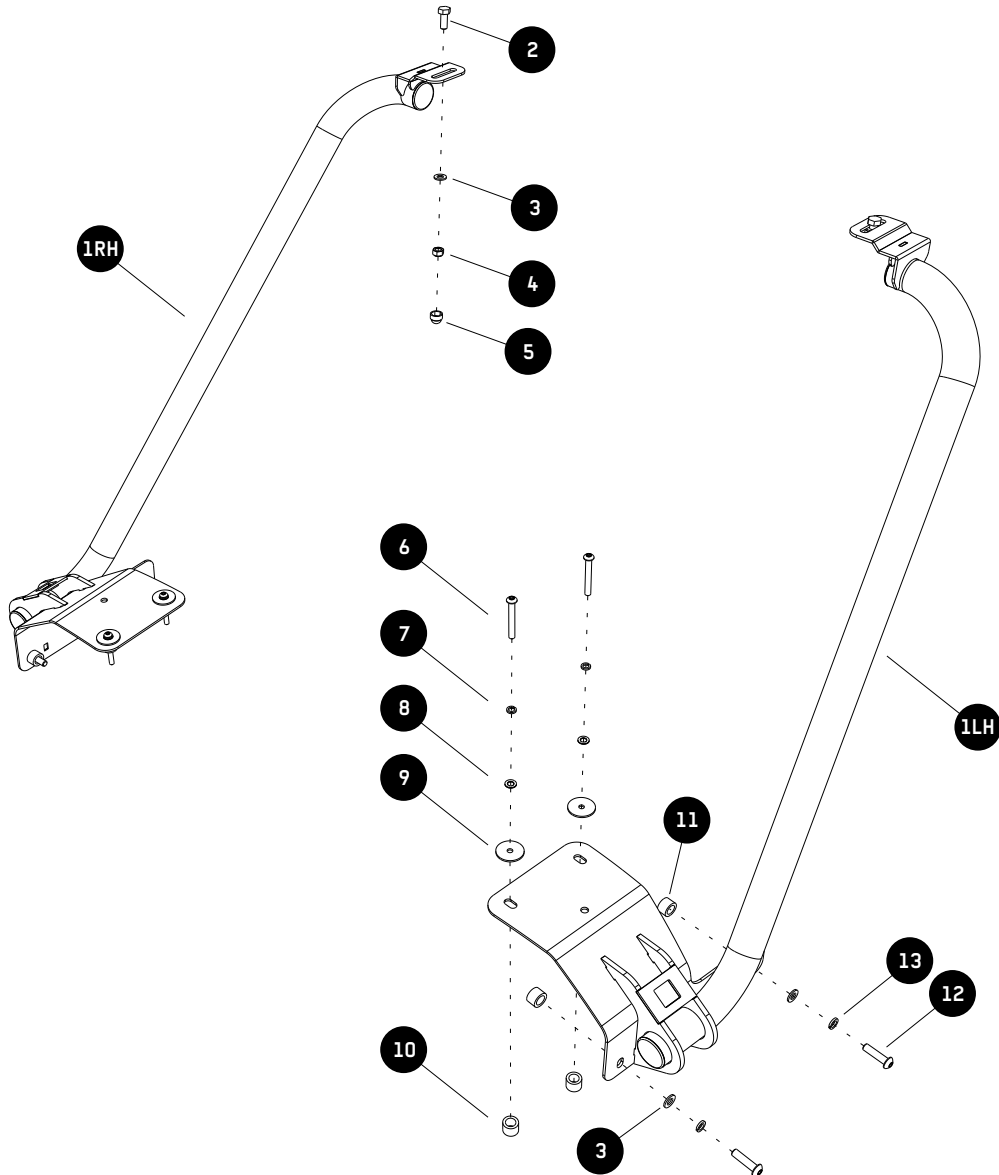
IN THE BOX

1	2 X	Front Support Arm 1LH + 1RH
2	2 X	M8 x 20 Hex Bolt
3	6 X	M8 x 16 x 1.6SS Flat Washer
4	2 X	M8 Nyloc Nut
5	2 X	M8 Nut Cap
6	4 X	M6 x 50 Button Head Bolt
7	4 X	M6 SS Spring Washer
8	4 X	M6 x 12 x 1SS Flat Washer
9	4 X	M6 x 30 x 2 Laser Cut Washer
10	4 X	Spacer 19 x 12 x 15
11	4 X	Spacer 19 x 12 x 12
12	4 X	M8 x 30 Button Head Bolt
13	4 X	M8 SS Spring Washers

TOOLS NEEDED



FIGURE 1.1



2

PREP FOR RACK INSTALL (FULL RACK)

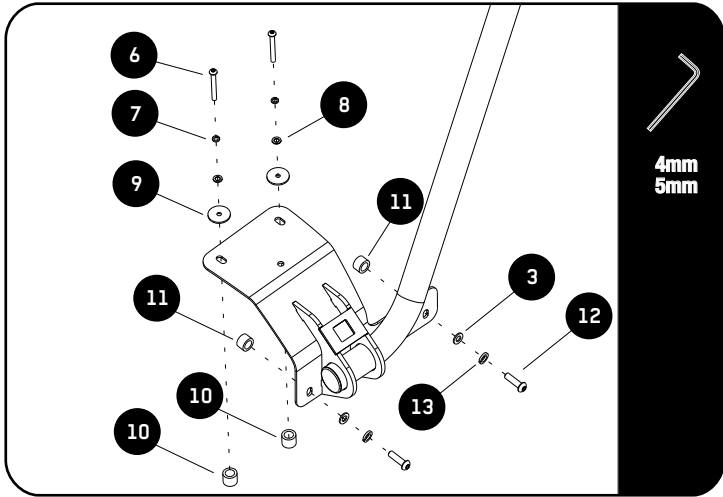
2.1



Using a T40 Torx Wrench, remove the four bolts holding the Corner Cover in place. Do this on both sides of the vehicle.

Place two Spacers 19 x 12 x 15 (Item 10) into the two top recesses as shown.

2.2

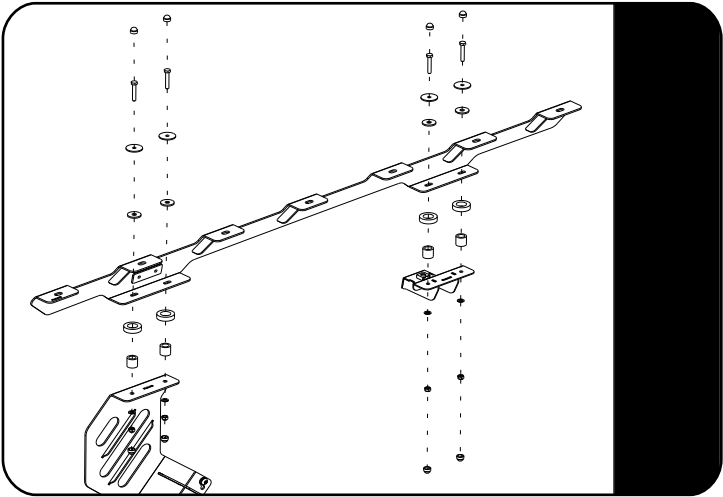


Carefully place the Front Support Arm onto the two top Spacers, aligning the holes in the Support Arm mount plate with the holes on the vehicle. Loosely assemble the Arm to the vehicle using M6 x 50 Button Head Bolts, M6 SS Spring Washers, M6 x 12 x 1SS Flat Washers and M6 x 30 x 2 Flat Washers (Items 6, 7, 8 & 9) as shown into the top.

Place two Spacers 19 x 12 x 12 (Item 11) into the two side recesses, between the Front Support Arm and the Corner Cover. Loosely assemble the side of the Support Arm using M8 x 30 Button Head Bolts, M8 SS Spring Washers and M8 x 16 x 1.6 SS Flat Washers (Items 3, 12 & 13) as shown.

! Make sure the Support Arms are straight, using the door shut line as a guide. fully tighten the M8 Button Heads and then the M6 Button Heads on top.

2.3



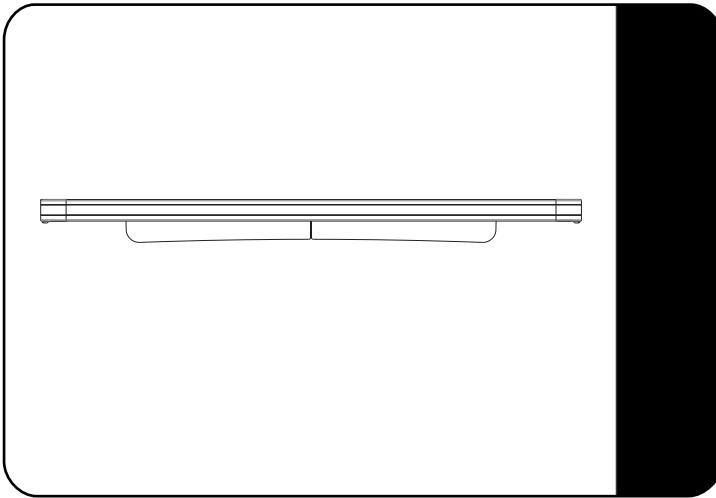
Before moving to the next step you need to install the Inner and Middle Support Brackets.

Refer to FAJL002/FAJL003 Fitment Guide.


2

PREP FOR RACK INSTALL (FULL RACK)

2.4

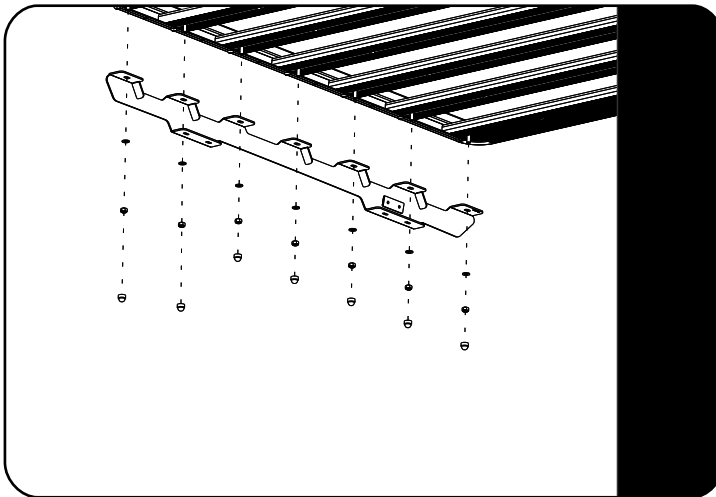


 If not already assembled, assemble your Tray as per the Universal Tray Assembly Instructions.

 Make sure that the wind deflector is installed before you proceed to the next step.

Refer to Universal Tray Assembly Instructions (Document RRTUNI)

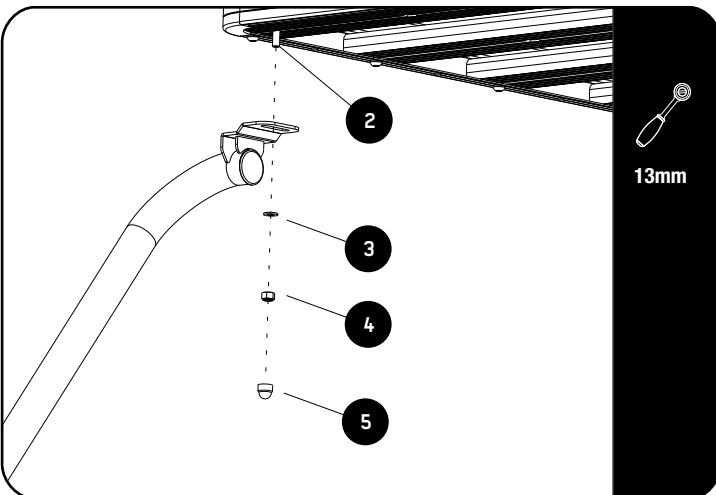
2.5




 Fit your Roof Rack to the Inner and Middle Support Brackets.

Refer to FAJL002/FAJL003 Fitment Guide.

2.6



 Fit your Roof Rack to the Front Support Arms using M8 x 20 Hex Bolts, M8 x 16 x 1.6SS Flat Washers and M8 Nyloc Nuts (Items 2, 3 & 4) as shown.

Center the rack and tighten fully. Use M8 Nut Caps (Item 5) to finish off the nuts.

3 COMPLETION

3.1



Congratulations! You did it. Take a step back and admire your work!

7 INSTALL OTHER VEHICLE AND RACK ACCESSORIES

Now's the time to visit your favorite Front Runner Dealer in person or online.

IMPORTANT!

FRONT RUNNER RACK KITS OFTEN HAVE A HIGHER LOAD RATING THAN THE VEHICLES THEY ARE MOUNTED TO. PLEASE REFER TO YOUR SPECIFIC VEHICLE MANUFACTURER FOR A RECOMMENDED ROOF RATING. FRONT RUNNER CANNOT BE RESPONSIBLE FOR IMPROPER LOADING BEYOND THE VEHICLE MANUFACTURER'S STATED LOAD CAPACITY.

Be sure to tag us. We love to see our gear in action! #FrontRunnerOutfitters #BornToRoam

Share your adventures on: 