



# START HERE!

## READ ME FIRST

Don't be a hero and muscle through this without first reading these fitting instructions! Improper installation of this gear may void certain aspects of your warranty.

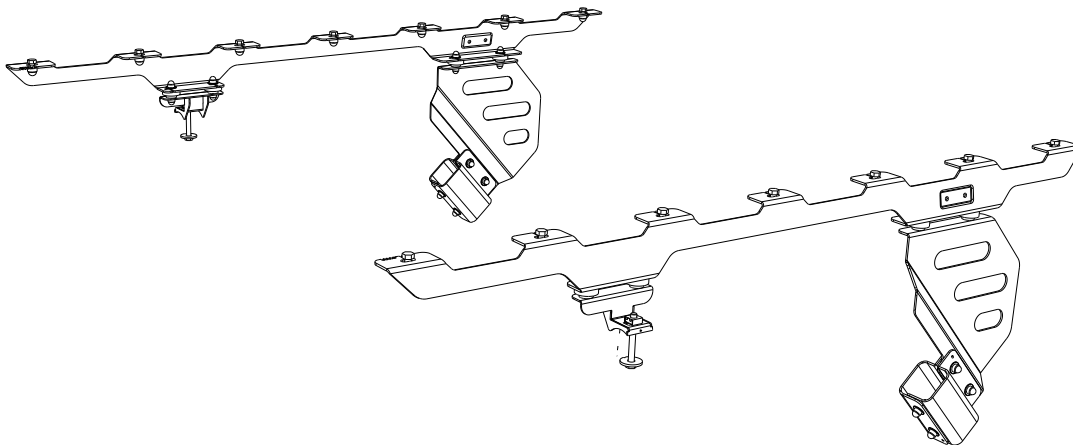
Before you begin, take a moment and open all your Front Runner rack kit boxes and gather the assembly instructions for the various components.

A complete kit will contain:

1. A Front Runner Mounting System specific to your vehicle
2. A Front Runner Rack Tray or Load Bar Slats

This document will guide you through the assembly of the mounting system and assist you in fitting the roof rack tray or load bars to your specific vehicle.

Please refer to the next page for a list of all the components, quantities and tools required.



### IMPORTANT WARNING!

FRONT RUNNER CAN NOT RECOMMEND A MAXIMUM LOAD CARRYING CAPACITY. PLEASE REFER TO YOUR VEHICLE MANUFACTURER'S RECOMMENDATIONS. IT IS CRITICAL THAT ALL FRONT RUNNER PRODUCTS BE PROPERLY AND SECURELY ASSEMBLED AND ATTACHED TO YOUR VEHICLE. IMPROPER ATTACHMENT COULD RESULT IN AN AUTOMOBILE ACCIDENT, AND COULD CAUSE SERIOUS BODILY INJURY OR DEATH. YOU ARE RESPONSIBLE FOR ASSEMBLING AND SECURING ALL FRONT RUNNER PRODUCTS TO YOUR VEHICLE. CHECKING THE ATTACHMENTS PRIOR TO USE, AND PERIODICALLY INSPECTING THE PRODUCTS FOR ADJUSTMENT, WEAR AND DAMAGE. THEREFORE YOU MUST READ AND UNDERSTAND ALL OF THE INSTRUCTIONS AND PRECAUTIONS SUPPLIED WITH YOUR FRONT RUNNER PRODUCT PRIOR TO INSTALLATION OR USE. IF YOU DO NOT UNDERSTAND ALL OF THE INSTRUCTIONS AND CAUTIONS, OR IF YOU HAVE NO MECHANICAL EXPERIENCE AND ARE NOT THOROUGHLY FAMILIAR WITH THE INSTALLATION PROCEDURES, YOU SHOULD HAVE THE PRODUCT INSTALLED BY A PROFESSIONAL INSTALLER OR OTHER QUALIFIED PERSONNEL.

# 1

## GET ORGANIZED

FAJK007

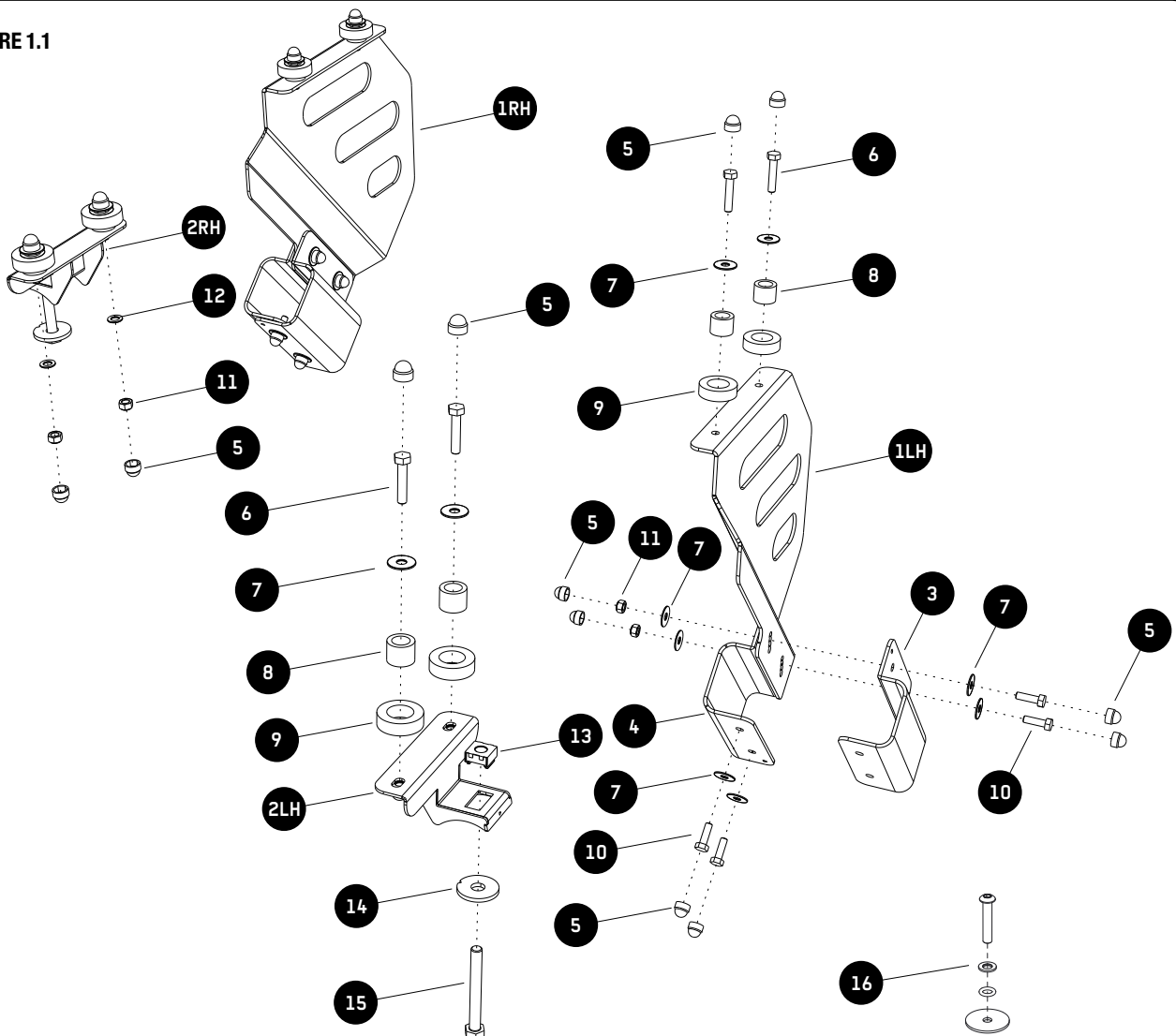
### IN THE BOX

1	2 X	Rear Support Bracket - 1LH + 1RH
2	2 X	Middle Support Bracket - 1LH + 1RH
3	2 X	Outer Roll Bar Clamp
4	2 X	Inner Roll Bar Clamp
5	20 X	M6 Nut Cap
6	16 X	M6 x 30 Hex Bolt
7	20 X	M6 x 19 x 1SS Flat Washer
8	16 X	Aluminum Spacer
9	16 X	Foam Seal Washer
10	8 X	M6 x 20 Hex Bolt
11	20 X	M6 Nyloc Nut
12	8 X	M6 x 12 x 1SS Flat Washer
13	2 X	M8 Cage Nut
14	2 X	M8 Large Washer
15	2 X	M8 x 75 Hex Bolt
16	8 X	Sealing Plug Assembly

### TOOLS NEEDED



FIGURE 1.1



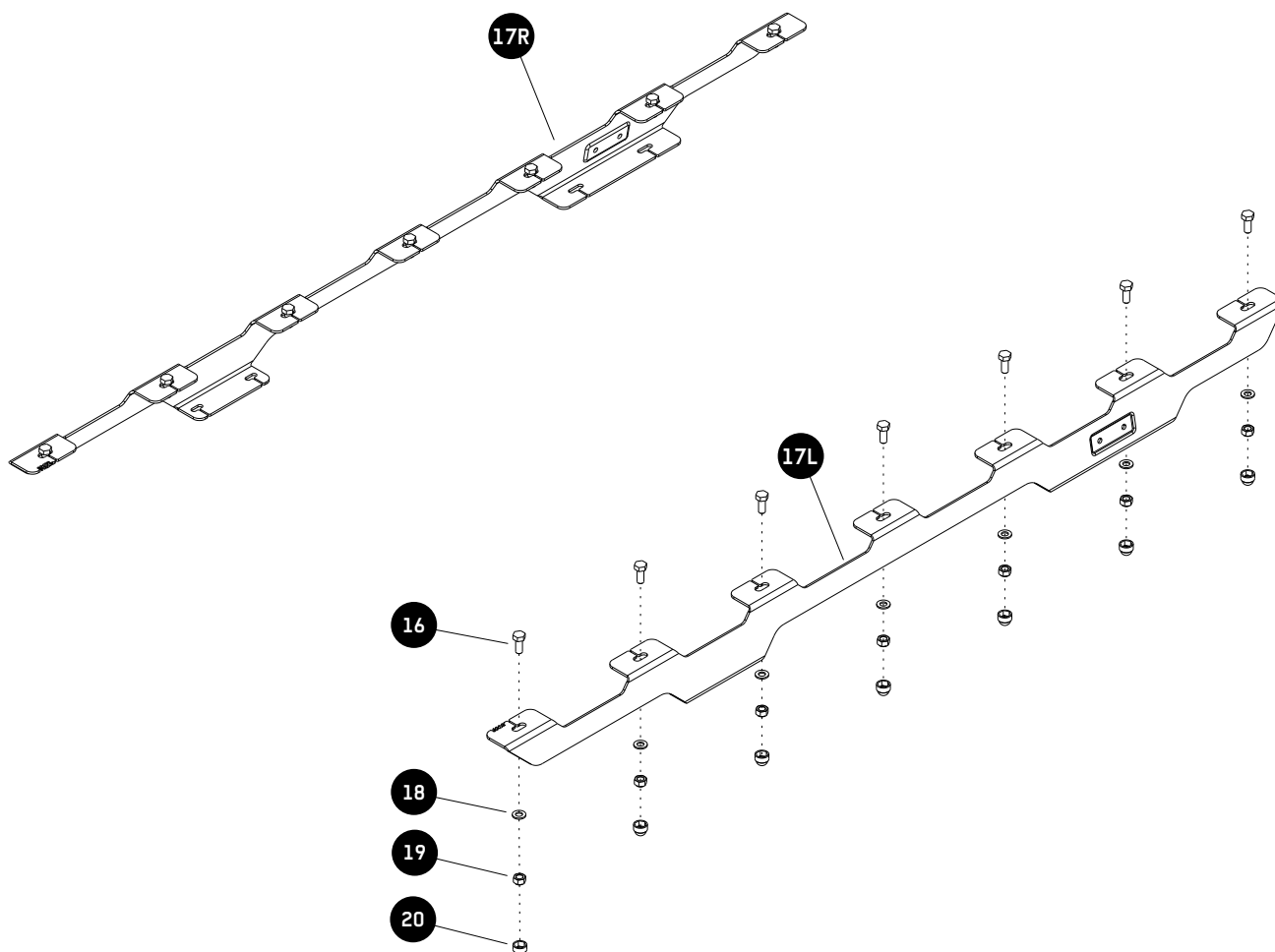
**1****GET ORGANIZED**

FAJK006

**IN THE BOX**

16	14 X	M8 X 16 Hex Bolt
17	2 X	Foot Rail - 1LH + 1RH
18	14 X	M8 x 16 x 1.6SS Flat Washer
19	14 X	M8 Nyloc Nut
20	14 X	M8 Nut Cap

FIGURE 1.2



**2**

**PREP FOR INSTALLATION OF INNER BRACKETS (FAJK002)**

2.1



Loosen the velcro, unzip and remove the padding covering the roll bars.

Remove the wiring harness and plastic clip from the roll bar.

2.2



Locate the two threaded holes on the underside of the roll bar and fasten the two halves of the Roll Bar Clamps (Items 3 & 4) to the roll bar using M6 x 19 x 1SS Flat Washers and M6 x 20 Hex Bolts (Items 7 & 10). Place the Outer Roll Bar Clamp (Item 3) first, followed by the Inner Roll Bar Clamp (Item 4).

2.3



Loosely attach the Rear Support Arms (Item 1) to the outside of the Roll Bar Clamps using M6 x 20 Hex Bolts, M6 x 19 x 1SS Flat Washers and M6 Nyloc Nuts (Items 7, 10 & 11). Make sure the foot faces the inside of the vehicle as shown.

Mark the position of the holes in the foot onto the roof.

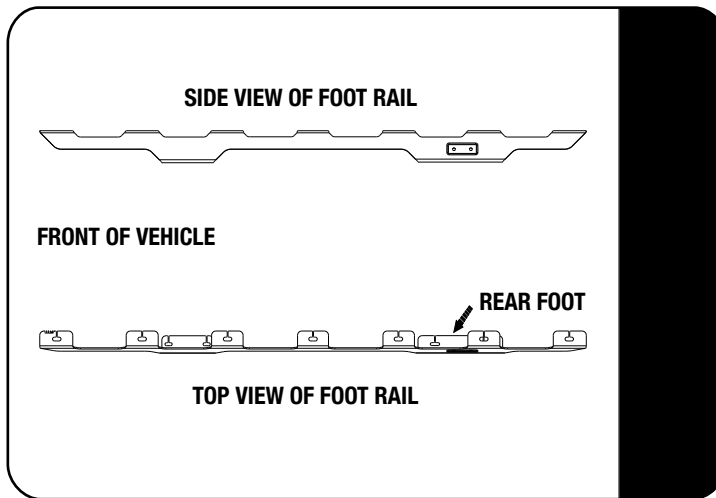
Once the holes have been marked remove the Rear Support Arms.

Drill 4mm pilot holes on the marks you have made.

### 3

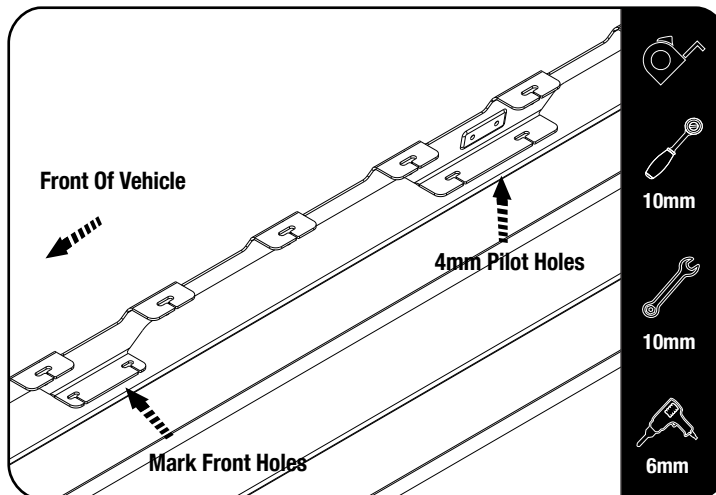
## PREP AND INSTALLATION OF FOOT RAILS (FAJK006)

3.1



Place the Foot Rail on the roof and align the rear slots of the Foot Rail centre with the holes drilled in 2.3.

3.2



Align the Foot Rail with the rib on the roof so that it runs parallel with the rib before marking the two front holes.

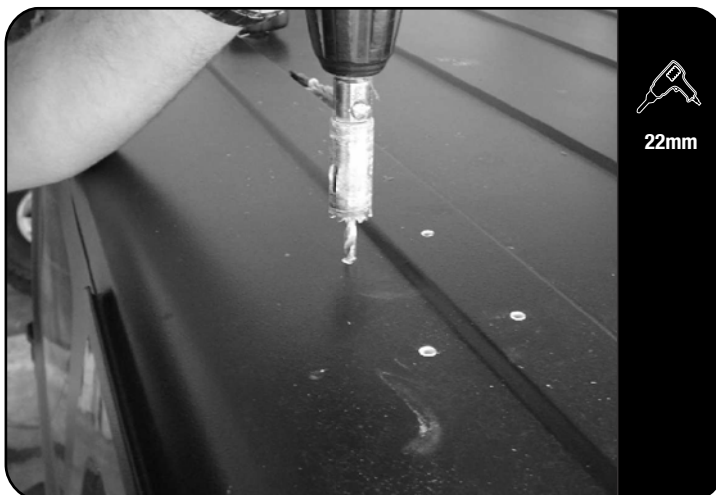
Mark the position of the two front holes of the Foot Rail onto the outside of the roof.

Remove the rail and from the outside, drill 4mm pilot holes on the marks just made.

Do this on both sides of the vehicle.

Using the Foot Rail as a template check that all four holes are centered in the slots of the Foot Rail.

3.3

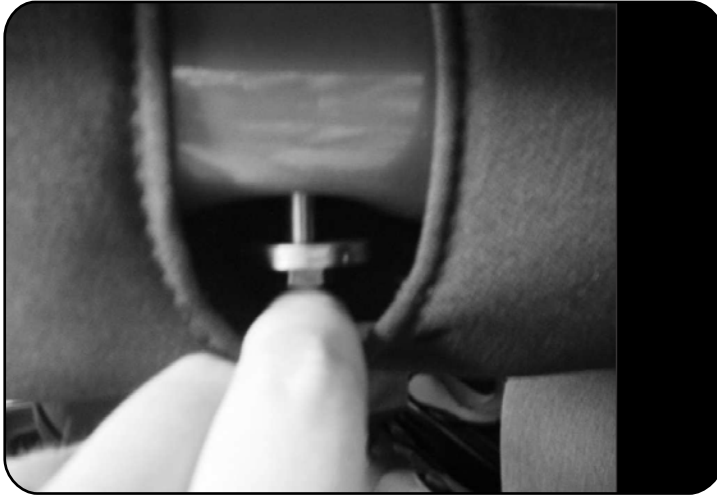


Change the 4mm drill bit to a 22mm hole saw. From the outside of the vehicle, drill all the 4mm holes (8 in total) out to 22mm.

Let the drill do the work. You do not want to scratch or damage your vehicle's roof. Have your friend hold the vacuum cleaner underneath where you are drilling to catch all the dust and keep your vehicle clean.

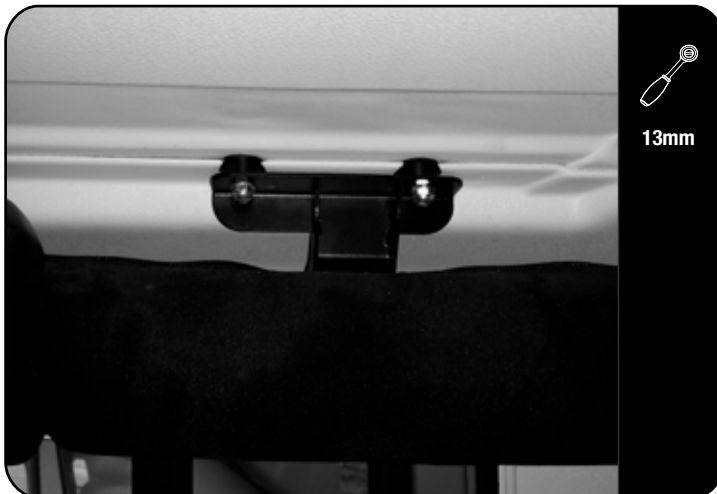
After drilling, clean the area around all the 22mm holes in the roof with a rag and methylated spirits/denatured alcohol.

3.4



🔄 Pull back the padding around the roll bar above the rear seats and insert an M8 x 75 Hex Bolt and M8 Large Washer (Items 14 & 15 from FAJK007 box) through the hole as shown.

3.5



🔄 From the inside of the vehicle, in the same position as where you just inserted the bolt in 3.4, push the Middle Support Bracket (Item 2LH & 2RH) through the hole in the roll bar padding and loosely fasten it to the roll bar.

⚠️ Please note that there is a left hand and right hand bracket. The arrow on the bracket must point to the rear of the vehicle.

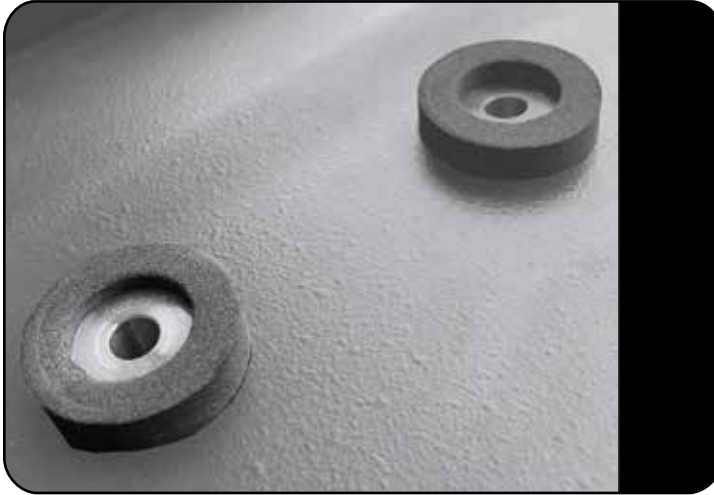
3.6



🔄 Refit and fasten the Rear Support Arms as in 2.3

⚠️ **NOTE:** Use the worm slots to adjust the height of the rear support brackets. This will be important to create a weatherproof Seal.

3.4



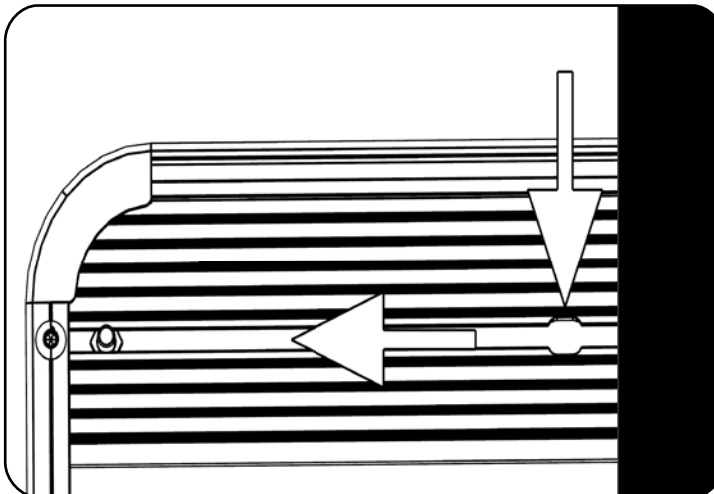
Clean the area around all the 22mm holes drilled in the roof with a rag and methylated spirits/denatured alcohol.

Insert the Aluminum Spacers (Item 8) into the Foam Washer (Item 9). Remove the paper backing from the Foam washer to expose the adhesive.

Insert the washer/spacer assembly, adhesive side down, into the 22mm holes so that the spacer comes to rest on the Rear Support Brackets underneath.

Firmly press the foam washer all the way around securing it to the roof.

3.5

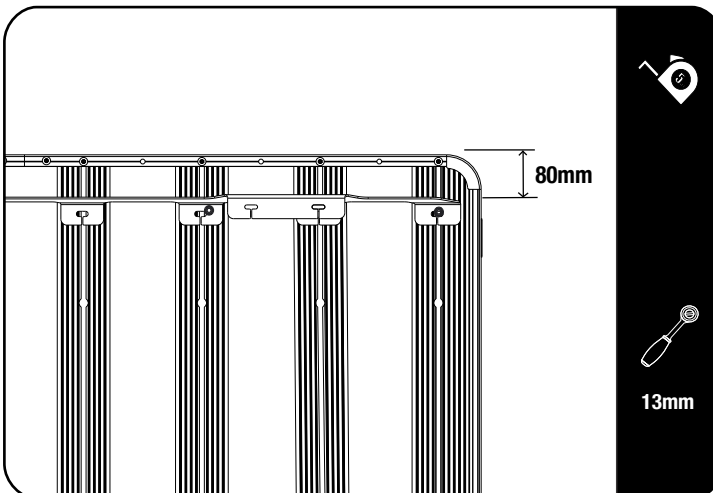


If not already assembled, assemble your Tray as per the Universal Tray Assembly Instructions (Document RRSUNI)



**NOTE:** Before fitting the Wind Deflector, insert two M8 x 16 Hex Bolts (Item 16 from FAJK008) or (Item 1 from FAJK007) into the first slat (Combined Slat), using the Machined slots. Slide a bolt to each of the outer corners.

3.6

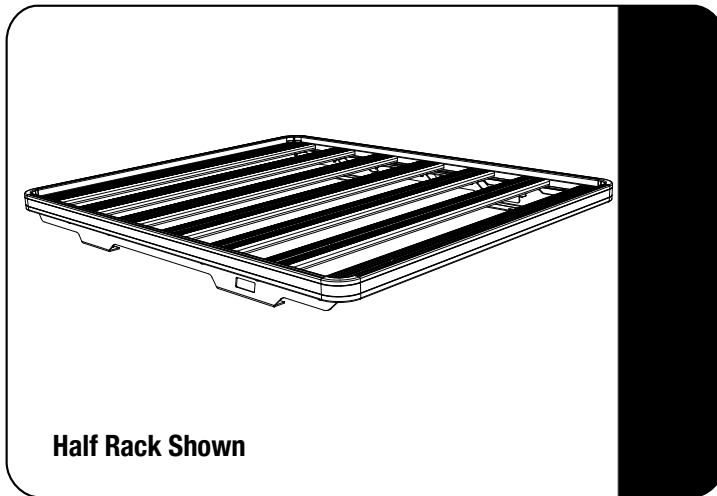


After fitting the wind deflectors, the tray should still be upside down, loosely mount the Foot Rails (Item 17L & 17R from FAJK008 box) to the Tray using M8 x 16 Hex Bolts, M8 X 16 X 1.6SS Flat Washers and M8 Nyloc Nuts (Items 16, 18 & 19). As before use the machined slots to insert the hex bolts into the Slat. The Foot Rail should be mounted at the opposite end of the Tray to the wind deflector.

The rear of the Foot Rail must mount onto the very last Slat (Combined Slat) and approximately 80mm in from the outer edge of the side of the Tray. Do not tighten the bolts yet.

**6****MOUNT YOUR TRAY**

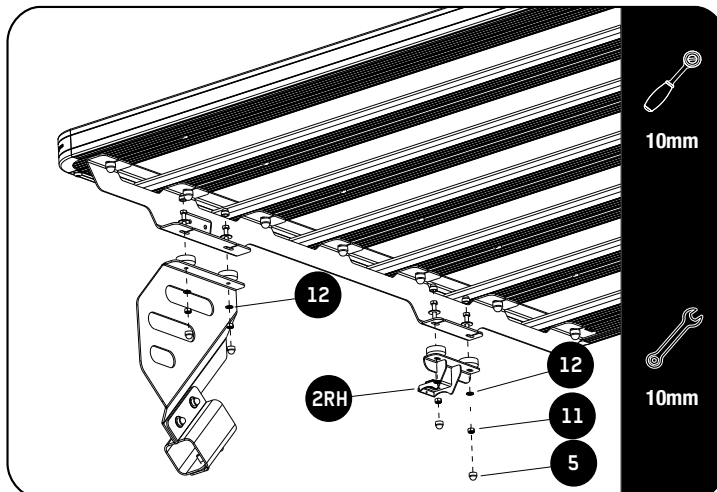
6.1



With the help of a friend, flip the Tray end over end so that it is in the upright position. (The Tray is flipped end over end so that bolts and brackets do not slide left and right).

With one of you on either side of the Tray, lift the Tray and walk it into position above the vehicle, approaching from either the front or the rear of the vehicle.

6.2

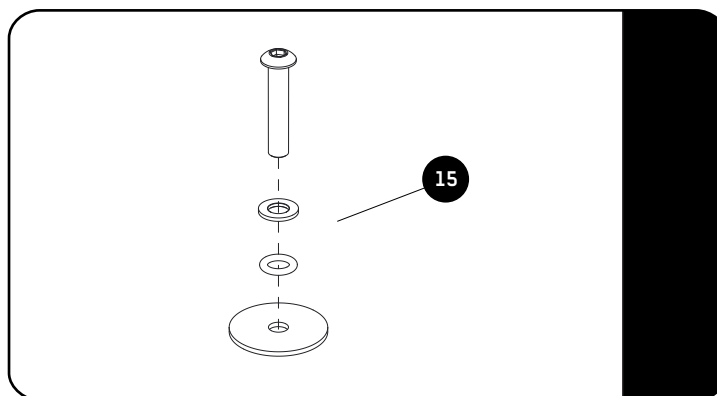


The Foot Rail should still be loose enough to move. Line the brackets up with the holes on the roof and fasten them into position using M6 x 30 Hex Bolts, M6 x 19 x 1SS Flat Washers, M6 x 12 x 1SS Flat Washers and M6 Nyloc Nuts (Items 6, 7, 11 & 12). Centre the tray from left to right. Use a tape measure to double check. Once you are happy that the Tray is in the correct position, fasten all the nuts and bolts, both inside and outside of the vehicle on all brackets that were installed.

Place M6 Nut Caps (Item 5) over all the exposed bolts and close up all the roll bar padding.

**5****REMOVING YOUR RACK**

5.3



Should you wish to remove your rack, you will need to plug the holes you drilled in the roof (Step 3.4), using the supplied Sealing Plug Assemblies.

Remove the Tray, Front Uprights and the Foot Rail, by reversing the installation procedure. Leave the Foam Washer and the Aluminum Spacers in place. Screw in the Sealing Plugs reusing the M6 Nyloc Nuts and Washers that held the Foot Rail in position.



8

## TAKE A TRIP

8.1 After your first adventure, check that all nuts, bolts, screws and fittings are tight. Re-tighten where needed. You'll find a small amount of settling has happened.

Go on many more adventures, periodically checking all nuts, bolts, screws and fittings.



Front Runner can not recommend a maximum load carrying capacity. Please refer to your vehicle manufacturer's recommendations

9

## COMPLETION

9.1

Congratulations! You did it. Take a step back and admire your work!



10

## INSTALL OTHER VEHICLE AND RACK ACCESSORIES

Now's the time to visit your favorite Front Runner Dealer in person or online.

### IMPORTANT!

FRONT RUNNER RACK KITS OFTEN HAVE A HIGHER LOAD RATING THAN THE VEHICLES THEY ARE MOUNTED TO. PLEASE REFER TO YOUR SPECIFIC VEHICLE MANUFACTURER FOR A RECOMMENDED ROOF RATING. FRONT RUNNER CANNOT BE RESPONSIBLE FOR IMPROPER LOADING BEYOND THE VEHICLE MANUFACTURER'S STATED LOAD CAPACITY.

Be sure to tag us. We love to see our gear in action! #FrontRunnerOutfitters #BornToRoam

Share your adventures on: 