

## **Jeep Wrangler Rear Vision Camera, 2007 – Current (Kit # 9002-8837)**

### **Items Included in the Kit**

Camera  
Chassis Harness  
Zip lock bag with 15 Wire Ties & 3 Push Nuts  
Program Module  
22--pin white connector w/ video  
These instructions

### **Required Tools & Supplies**

T15 & T20 Torx Bits  
7mm & 10mm Sockets  
Phillips Screwdriver  
Plastic Trim Removal Tool  
Soldering Iron, Solder, & Heat Shrink Tubing  
(RECOMMENDED) or T-taps as an alternate  
splicing method  
Electrical Tape

**Please read so you do not VOID the warranty:  
If the camera harness is ran though the center on the camera  
bracket, it will cut the camera harness. This will VOID the  
warranty on the camera.**



### **Safety Precautions:**

- Work in a well-ventilated area that is clear of obstructions.
- Secure vehicle with tire chucks in both front and rear of tires.
- Turn vehicle accessories OFF and ensure ignition key is in OFF position.
- Wear safety goggles and snug fitting clothes.
- Use tools only for their intended purpose and which are in good repair.
- Only perform this task if confidence, skill, and physical ability permit.

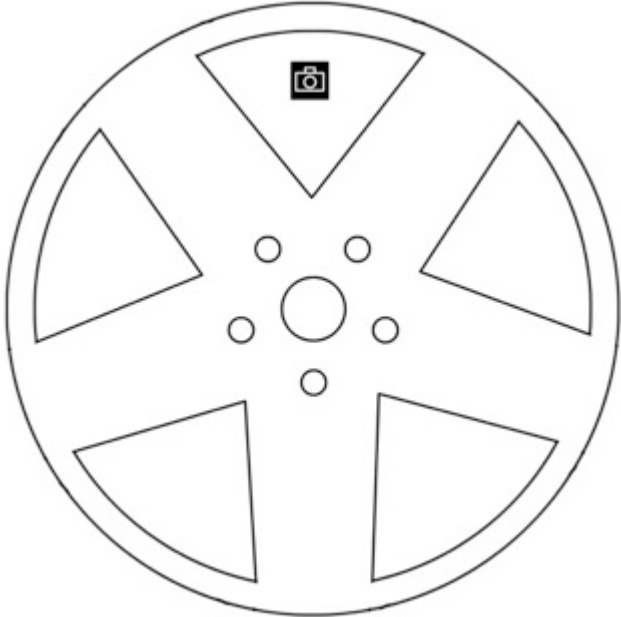
**NOTE: We strive to provide accurate and up-to-date installation instructions.  
For the latest full color instructions please visit [www.brandmotion.com](http://www.brandmotion.com)**

# INSTALLATION INSTRUCTIONS

## Install Camera:

### Wheel Alignment for Camera Clearance

**Step 1:** Loosen lug nuts to remove spare tire.



**Step 2:** Slide Camera on studs placing harness end on top of tire carrier. **Do not run harness through the camera bracket opening.**

**Step 3:** Temporarily replace spare tire to check wheel clearance to Camera.



**Step 4:** Remove spare tire and slide (3) supplied Push Nuts on the studs.



### Install Chassis Harness:

**Step 5:** Plug the Camera connector into the gray Chassis Harness connector, and insert RCA connector end of supplied Chassis Harness through the rear gate vent behind tire carrier.



**Step 6:** Using a plastic trim removal tool, remove interior panels on inside of rear gate.



**Step 7:** Pull harness through the rear gate openings.

## INSTALLATION INSTRUCTIONS

**Step 8:** Use supplied Wire Ties to secure Chassis Harness to existing harness.



**Step 9:** Use supplied Wire Ties to secure Chassis Harness to fabric factory wire cover. CAUTION: Leave enough slack to allow gate to open fully.



**Step 10:** Use a T20 Torx bit to remove subwoofer box.



**Step 11:** Using a plastic trim removal tool, pry off rear seat belt closeout.



**Step 12:** Using a plastic trim removal tool, remove rear access panel to expose 10mm bolt, and remove bolt.



**Step 13:** Pull out subwoofer box slightly to gain access to run Chassis Harness along existing harness.

**Step 14:** Pull back carpet and continue running Chassis Harness forward.



**Step 15:** Run Chassis Harness under B-pillar cover to passenger door sill. Use a plastic trim removal tool to remove the (2) plastic push pins and remove passenger sill plate/kick panel.



## INSTALLATION INSTRUCTIONS

**Step 16:** Use a 10mm socket to remove the existing nut located behind the passenger kick panel and attach ground eyelet of Chassis Harness to chassis ground.



**Step 18:** Remove rubber bin insert from top of dash.



**Step 19:** Remove 7mm bolt .



**Step 20:** Using a plastic trim removal tool, remove window switch panel.



**Step 21:** Disconnect harness from window switches.



**Step 22:** Remove 7mm bolt.



## INSTALLATION INSTRUCTIONS

**Step 23:** Remove driver knee bolster cover.



**Step 24:** Remove (2) 7mm bolts on both sides of the steering column.



**Step 25:** Remove center stack/cluster surround.

**Step 26:** Remove glove box for access and run Chassis Harness toward center of dash.



**Step 27:** Using a plastic trim removal tool, remove HVAC panel.



**Step 28:** Run Red 12v+ ignition power wire and green trigger wire of supplied Chassis Harness to ignition controlled power point on HVAC panel power point.

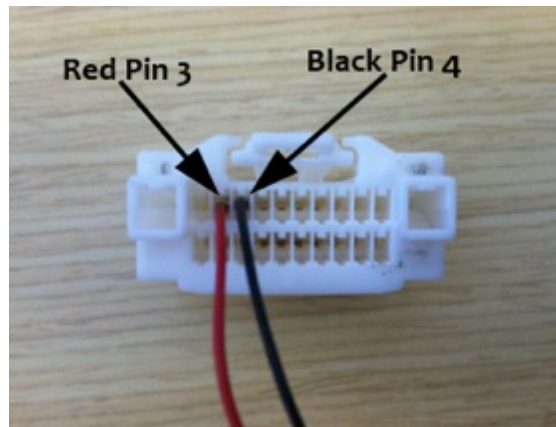
**Step 29:** Splice Red power wire and the green trigger wire from the chassis harness to Blue/Red wire on back of power point. RECOMMENDED: Use solder and cover with heat shrink tubing or use T-taps as an alternate connection method.



**Step 30:** Plug the Chassis Harness RCA connector into your aftermarket display.

## INSTALLATION INSTRUCTIONS

**Step 31:** Plug in the 22—pin white connector to the open connector on the back of the radio.



**Step 32:** Connect White 22-pin Connector to radio along with all remaining radio connectors before reinstalling radio head unit and all trim removed.

**Step 33:** Connect male RCA of camera into female RCA of jumper harness and proceed to the Programming Instructions.

### Programming Instructions

**PLEASE NOTE:** These modules are VIN locked for single use.

- a) With the module not plugged in, key on the ignition and wait 10 seconds for the chimes and lights to stop flashing.
- b) Plug module into OBDII port, located under the dash on the driver's side, and wait to hear "honk honk". Programming is completed.
- c) Unplug the module from the OBDII port.



**Step 35:** Test the system. Start vehicle and shift into Reverse in order to check that all connections were made properly. If all of the connections are correct you will see the camera image displayed on your aftermarket display.

**Step 36:** Reassemble vehicle. Follow your disassembly steps in reverse order, taking care not to bind the harness wiring when reinstalling trim.