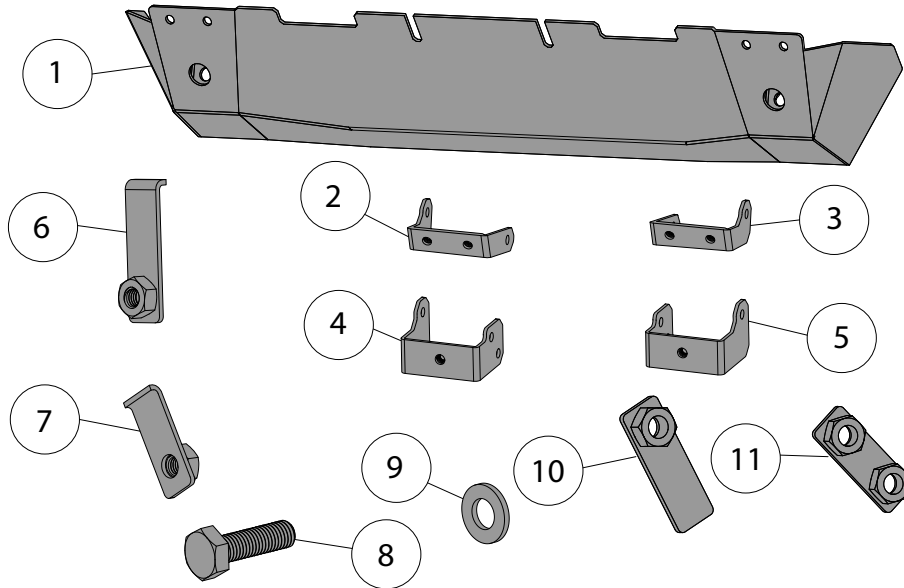


JL Front Skid Plate

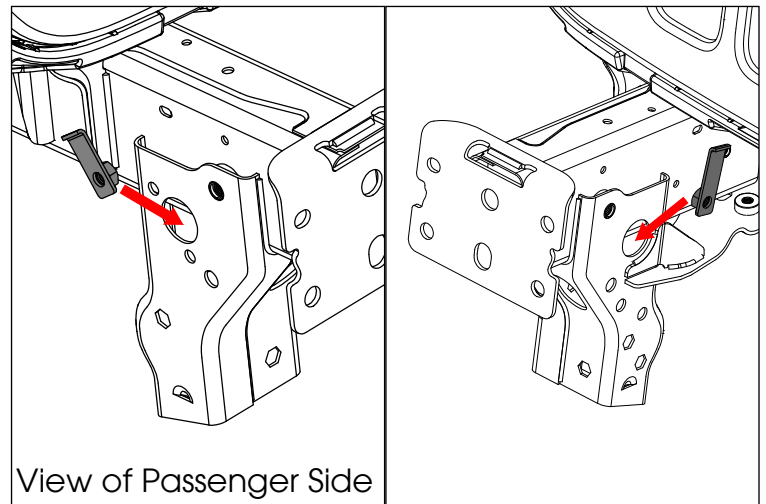


Components

1. Skid Plate	(1)	7. Upper Bracket Nut Plate 2	(2)
2. Right Upper Bracket	(1)	8. M10 Hex Head Bolt	(16)
3. Left Upper Bracket	(1)	9. M10 Washer	(16)
4. Right Lower Bracket	(1)	10. Lower Bracket Nut Plate 1	(2)
5. Left Lower Bracket	(1)	11. Lower Bracket Nut Plate 2	(2)
6. Upper Bracket Nut Plate 1	(2)		

NOTICE It might be necessary to remove the front bumper and winch tray before installing Skid Plate.

1. Position Upper Bracket Nut Plates inside of frame.



OMIX-ADA® TECHNICAL SUPPORT

PHONE: M-F 8am - 5pm EST 1-800-449-6649

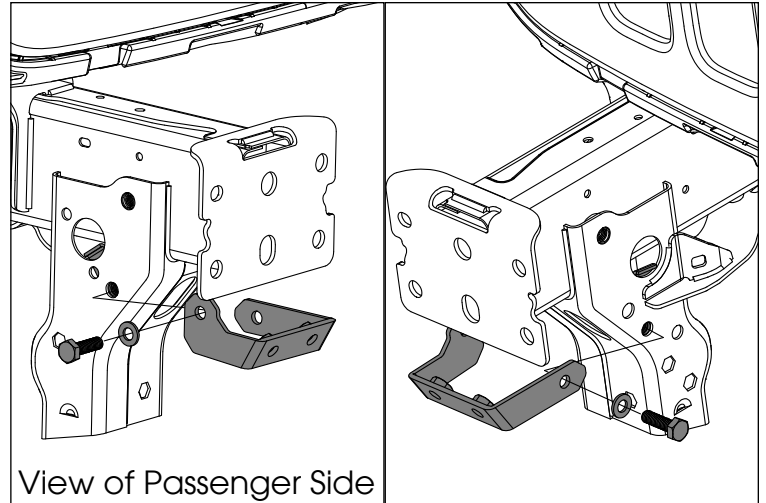
FOR WARRANTY OR TECH CONCERNS EMAIL: webmaster@omixsupport.com

ATTN: STATE OF CALIFORNIA CONSUMERS

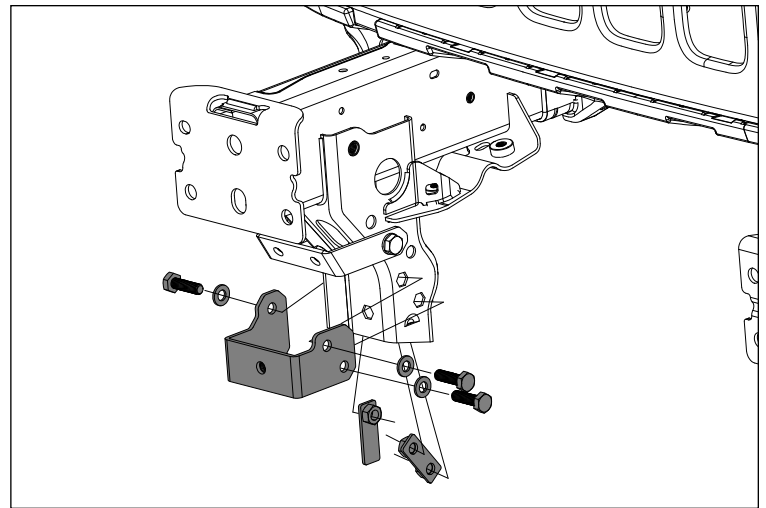
WARNING: Cancer and Reproductive Harm - www.P65Warnings.ca.gov.

JL Front Skid Plate

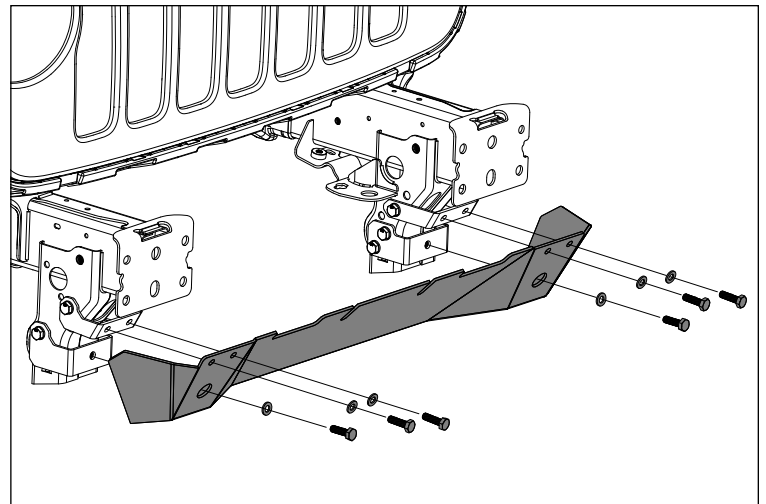
2. Using supplied M10 hardware and Upper Bracket Nut Plates, loosely attach Upper Bracket to vehicle's frame.



3. Loosely attached Lower Bracket to vehicle using supplied Lower Bracket Nut Plates and M10 hardware.



4. Using supplied M10 hardware, loosely attach Skid Plate to Upper and Lower Brackets.



5. Tighten all hardware.