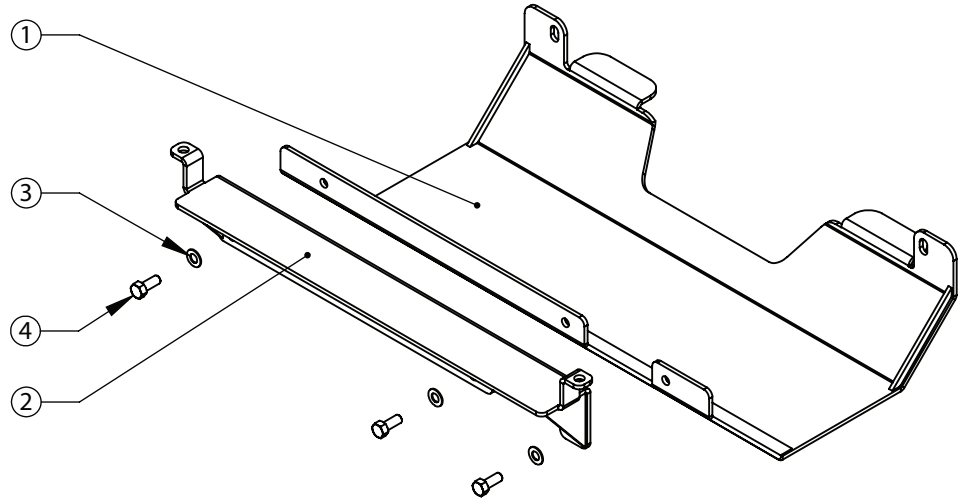


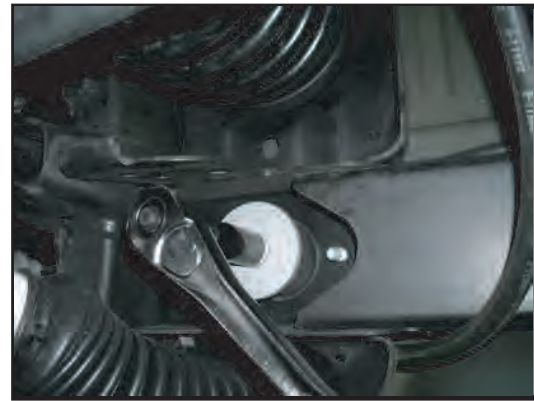
## Jeep® JK Wrangler Muffler Skid Plate 07-11

### Contents:

1. Skid Plate (1)
2. Mounting Bracket (1)
3. M12 Washer (3)
4. M12 x 30 Hex Bolts (3)
5. M10 x 30 Hex Bolts (2)  
(not shown)
6. M10 x 30 Nut Plate (2)  
(not shown)
7. M10 Flat Washer (2)  
(not shown)
8. M10 (5mm) Spacer (2)  
(not shown)



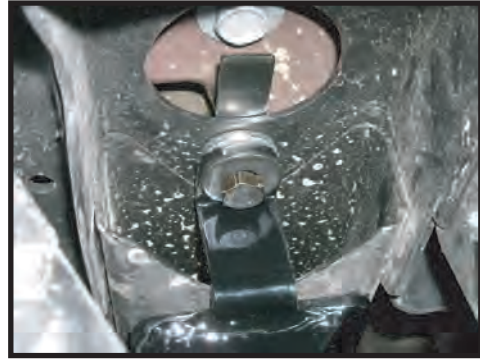
1. Remove the inner body mount nut on each side on the body mount above the rear axle. Loosen the body mount bolt 2-3 turns.



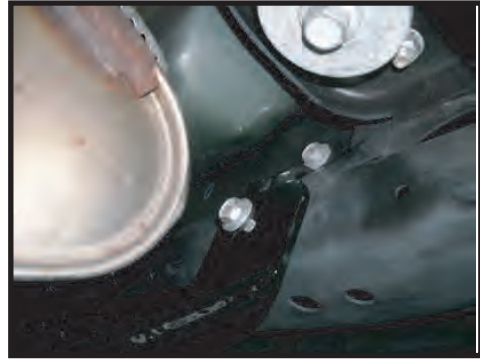
2. Slide the Mounting Brackets in between the frame and the exhaust. The muffler hangers may have to be removed to provide additional room. Position the mounting tabs of the Mounting Bracket onto the inner studs of the body mount. Replace nuts removed in Step 1, but do not tighten.



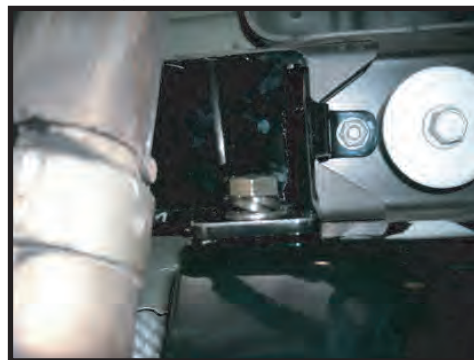
3. 2010-2011 vehicles will need to use supplied M10 bolt, Washer and Nut Plate to install mounting bracket. Slide nut plate on top of frame cross member. Place M10 spacer between frame and mounting bracket. Insert M10 bolt and washer. Start bolt into nut plate but do not tighten.



4. Remove the bumper mounting bolts on the rear crossmember. Position the Skid Plate under the muffler, with the center cutout oriented towards the back of the vehicle. Lift the Skid Plate into place and replace the bumper mounting bolts, but do not tighten them yet.



5. Install M12 Bolts and Washers through the Mounting Bracket and into the Skid Plate. Once all 3 have been started, tighten them.



6. Tighten the body mount nuts and bolts loosened in Step 1. Push up on Skid Plate until the horizontal tabs are contacting the rear crossmember, and tighten the bumper mounting bolts.

