

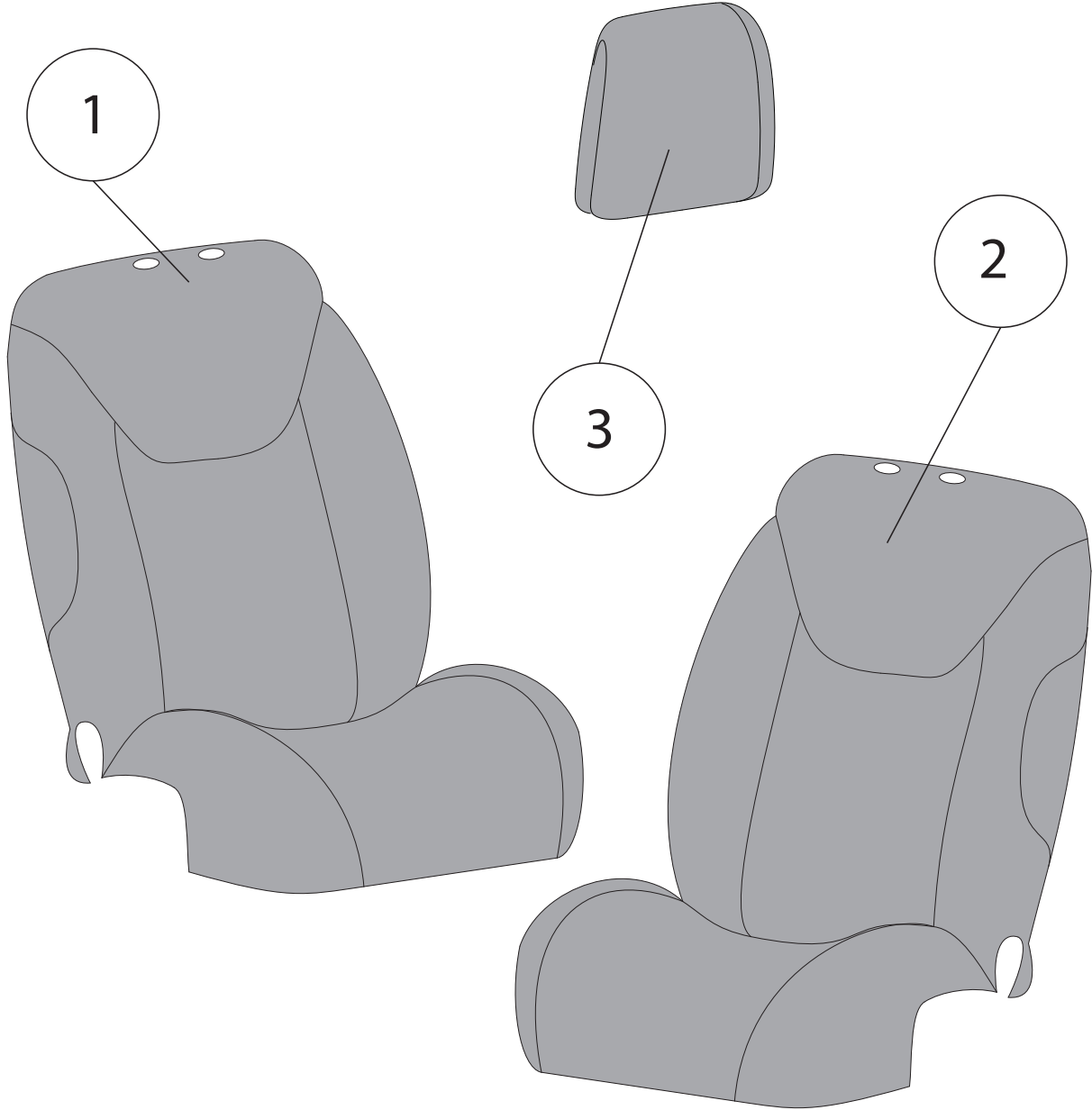


OMIX-ADA, Inc.

460 HORIZON DR. SUITE 100 | SUWANEE, GA 30024 | PHONE: 770-614-6101 | FAX: 770-614-6069 | info@omix-ada.com

Part 13216.01
13216.02

Elite Ballistic Front Seat Covers



Components

- 1. Ballistic Front Cover, RH (1)
- 2. Ballistic Front Cover, LH (1)
- 3. Ballistic Head Rest Cover (2)

OMIX-ADA® TECHNICAL SUPPORT

PHONE: M-F 8am - 5pm EST 1-800-449-6649 | EMAIL: techsupport@omix-ada.com

FOR WARRANTY INFORMATION VISIT: www.Omix-Ada.com



OMIX-ADA, Inc.

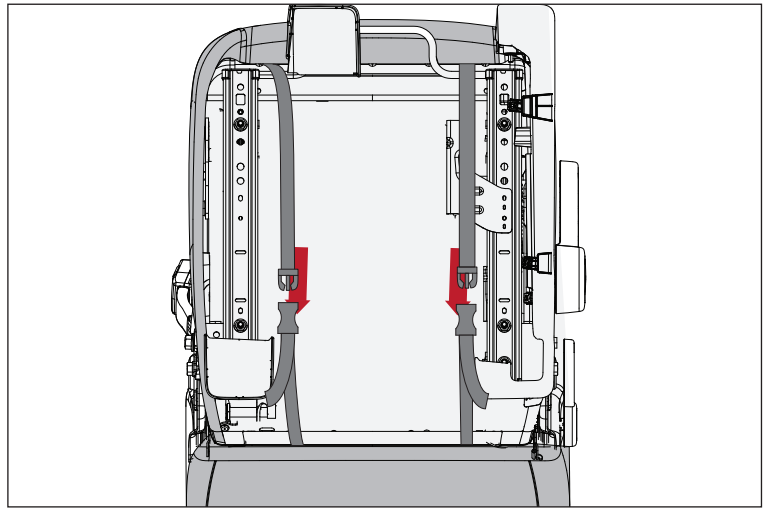
460 HORIZON DR. SUITE 100 | SUWANEE, GA 30024 | PHONE: 770-614-6101 | FAX: 770-614-6069 | info@omix-ada.com

Elite Ballistic Front Seat Covers

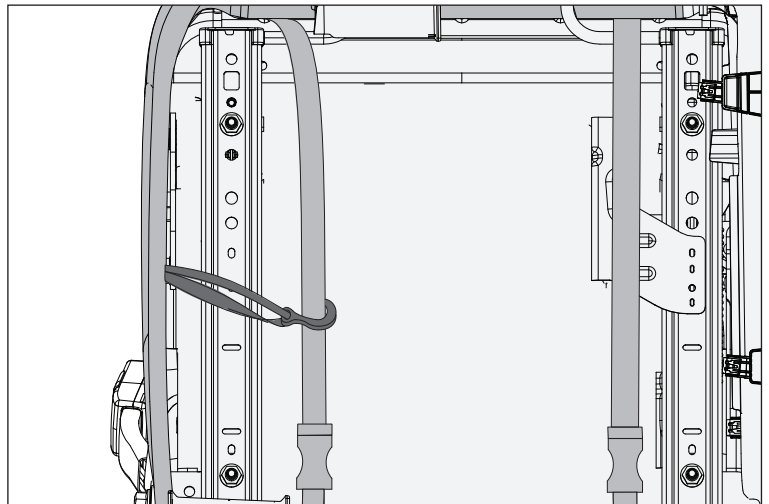
1. Remove headrest from seat.
2. Slide cover over top of front seat.
3. Push rear buckles and fabric through crease in bottom of seat.



4. Fit bottom portion of seat cover to front of seat and secure buckles under seat as shown on right. Tighten straps.



5. Secure side hooks to buckles under seat as shown on right.



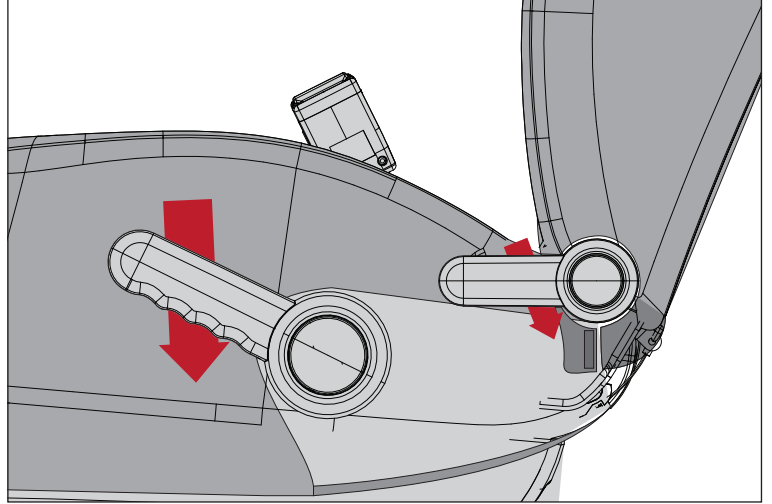


OMIX-ADA, Inc.

460 HORIZON DR. SUITE 100 | SUWANEE, GA 30024 | PHONE: 770-614-6101 | FAX: 770-614-6069 | info@omix-ada.com

Elite Ballistic Front Seat Covers

6. Fit rear side fabric around seat adjustment knob and secure with hook and loop fabric.



7. For 2007-2010 models, slide Head Rest Covers over head rests. For 2011-current models, slide Head Rest Covers over head rests and secure with hook and loop fabric.

8. Install head rest onto seat. Repeat for second side.

