

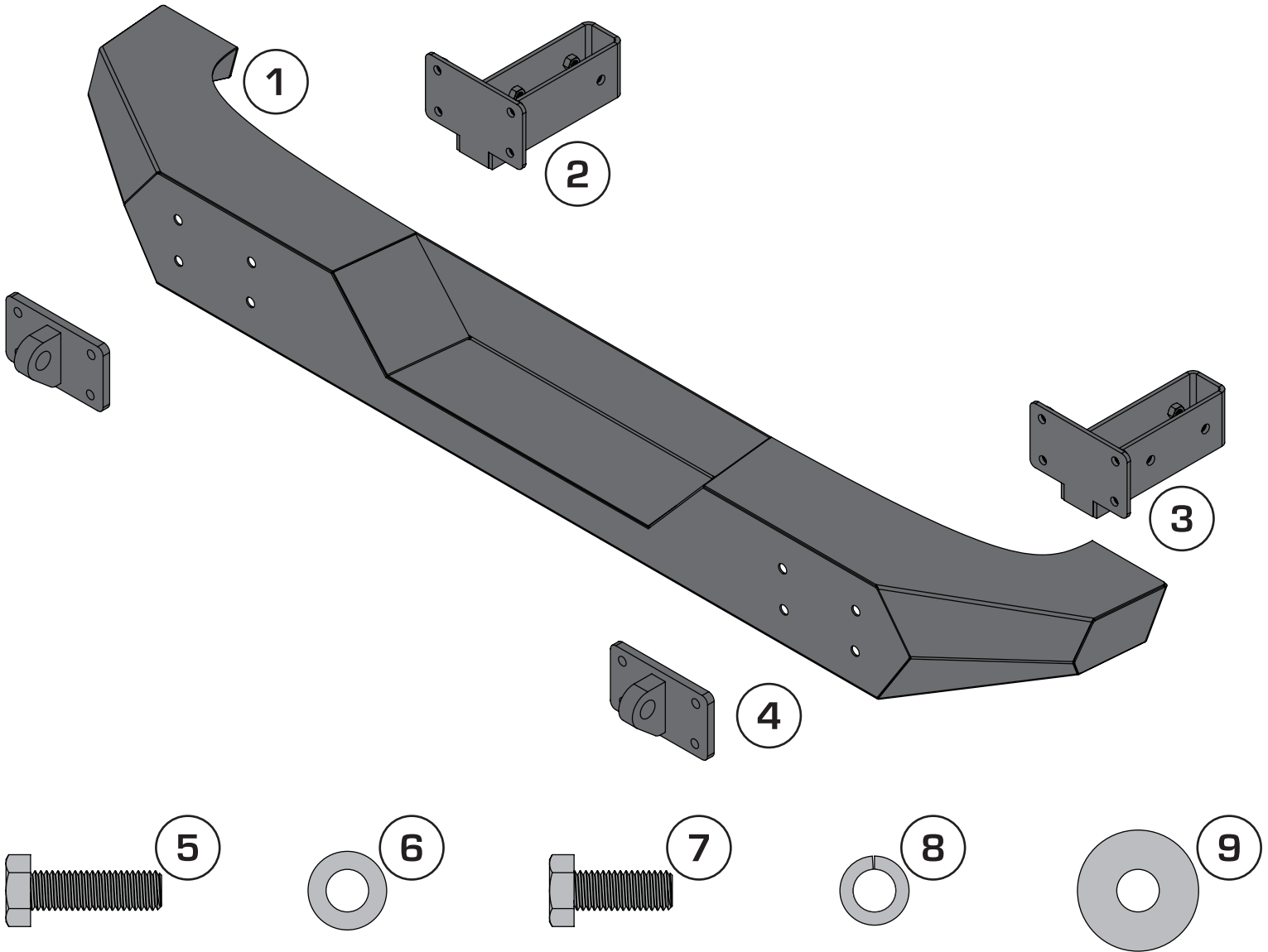


OMIX-ADA, Inc.

Part # 11548.20

460 HORIZON DR. SUITE 400 | SUWANEE, GA 30024 | PHONE: 770-614-6101 | FAX: 770-614-6069 | www.omix-ada.com

Spartan Rear Bumper, Full Width



Components

- | | | | |
|-----------------------------|-----|-------------------------|-----|
| 1. Spartan Rear Bumper | (1) | 6. M12 Flat Washer | (8) |
| 2. Mounting Bracket - Left | (1) | 7. M12 Bolt - Short | (6) |
| 3. Mounting Bracket - Right | (1) | 8. M12 Lock Washer | (6) |
| 4. D-Shackle Tab | (2) | 9. M12 Oversized Washer | (6) |
| 5. M12 Bolt - Long | (8) | | |

OMIX-ADA® TECHNICAL SUPPORT

PHONE: M-F 8am - 5pm EST 1-800-449-6649 | TICKET: www.omixsupport.com

FOR WARRANTY INFORMATION VISIT: www.Omix-Ada.com



OMIX-ADA, Inc.



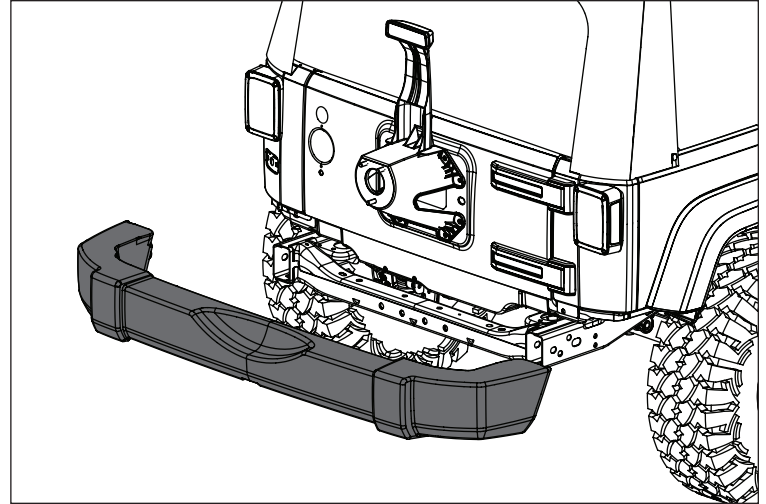
460 HORIZON DR. SUITE 400 | SUWANEE, GA 30024 | PHONE: 770-614-6101 | FAX: 770-614-6069 | www.omix-ada.com

Spartan Rear Bumper, Full Width

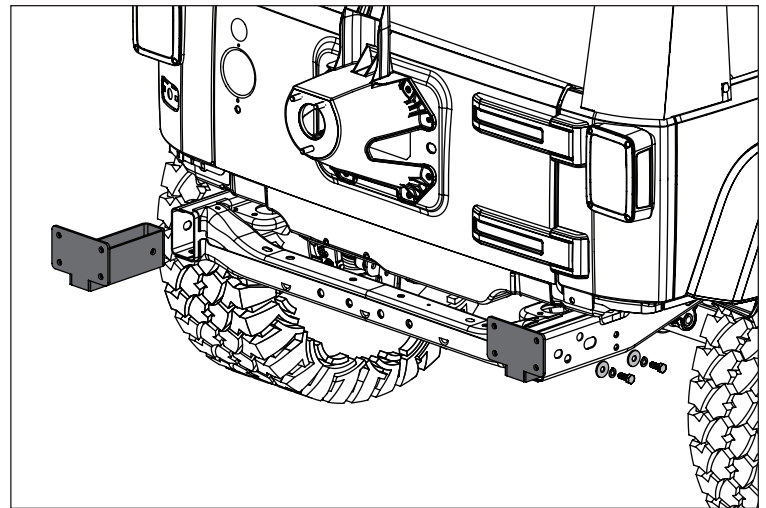
1. Remove spare tire and factory rear bumper.



Have another person help lift tire off tire mount.



2. Install Left and Right Mounting Brackets into frame rails using short M12 Bolt, Lock Washer, and Oversized Washer. Do not fully tighten hardware.



3. Install Spartan Rear Bumper and D-Shackle Tabs using remaining M12 hardware. Align bumper with body and fully tighten Mounting Bracket hardware.

4. Reinstall spare tire and torque lug nuts to factory specification.



Failure to tighten lug nuts to proper torque specification could result in serious injury or property damage.

