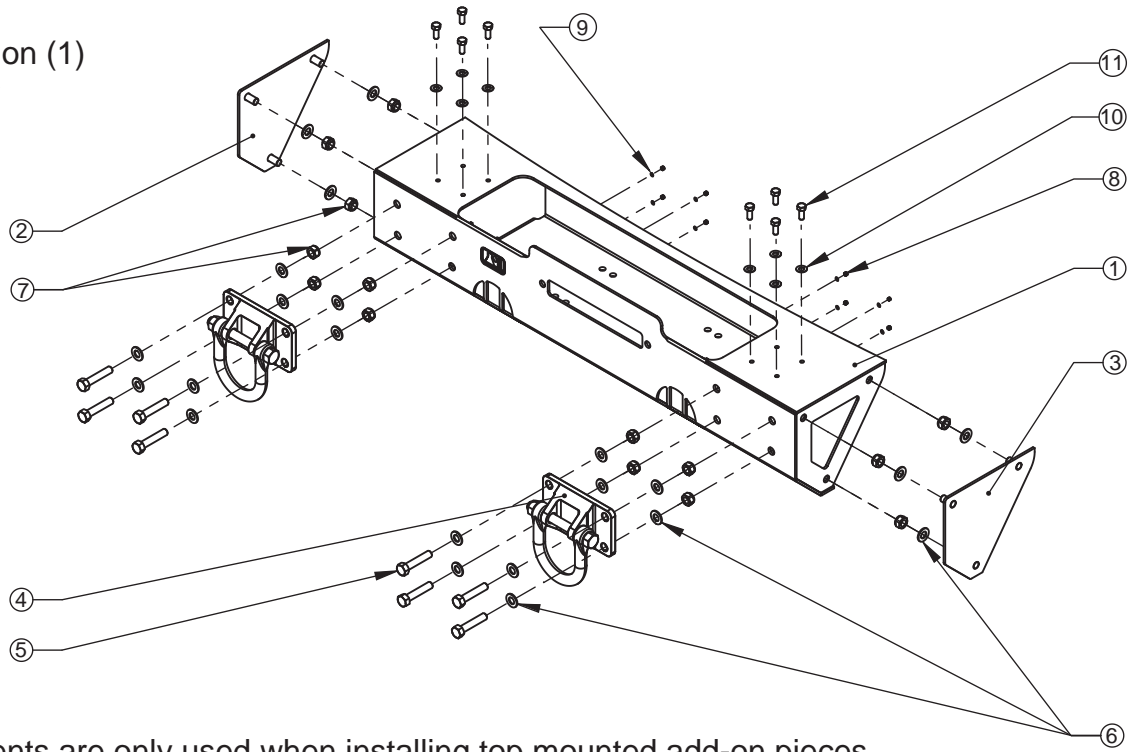


## Jeep® JK Wrangler Modular HD Front Winch Bumper

### Contents:

1. Bumper Center Section (1)
2. Right Stubby End (1)
3. Left Stubby End (1)
4. D-Ring (2)
5. M12 x 60 Bolt (8)
6. M12 Washer (22)
7. M12 Lock Nut (14)
8. M3 Lock Nut (8)
9. M3 Washer (8)
10. M8 Washer (8) \*
11. M8 x 20 Bolt (8) \*



\* Note - These components are only used when installing top mounted add-on pieces.

1. Disconnect fog lights by twisting the plug in the rear of them. Remove 4 nuts per frame horn that hold the original front bumper to the vehicle. Remove original bumper.
2. Install the original fog lights into the Center Section from the back (Figure 2a). Use the (8) M3 lock nuts and M3 washers to secure them (Figure 2b).

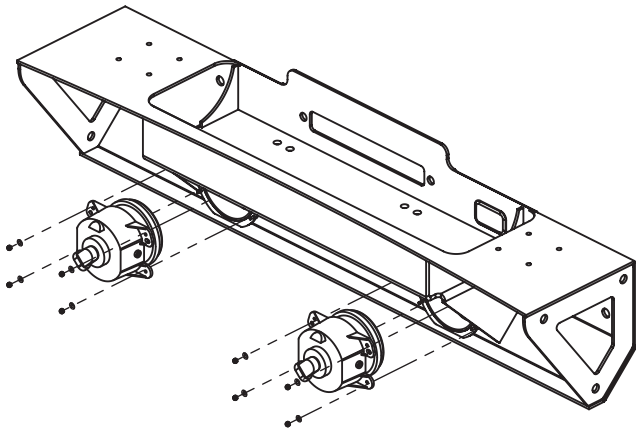


Figure 2a

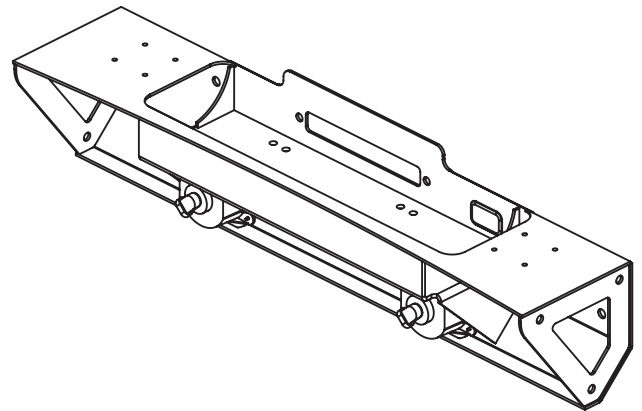


Figure 2b

3. Install Ends using (3) 12mm washers and (3) 12mm lock nuts per side (Figure 3a). Once all nuts have been started, tighten them (Figure 3b).  
 Note - if installing optional ends, substitute them for the Stubby Ends shown.

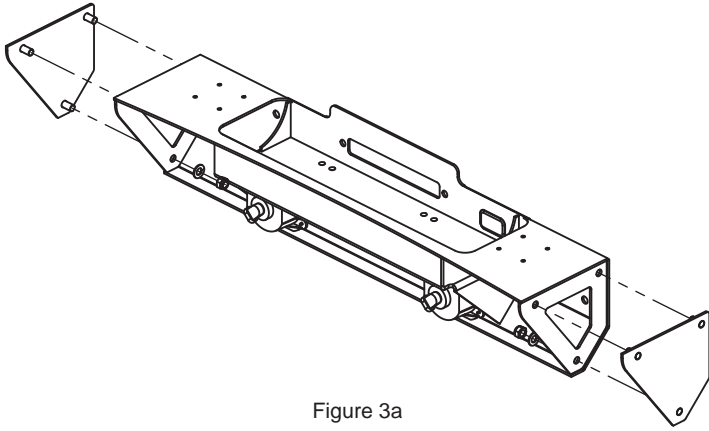


Figure 3a

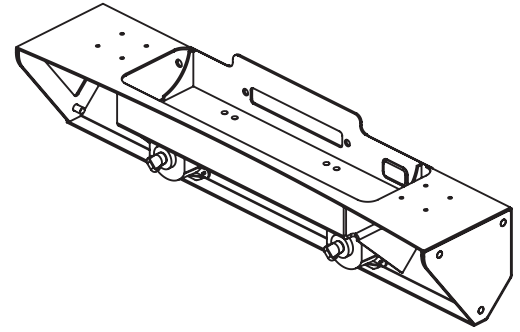


Figure 3b

4. Install Fairlead (not included) to Bumper. Note - bolts for Fairlead (supplied with it) should pass from inside the Winch cavity, with the nut being installed on the outside (Figure 4a). Tighten Fairlead bolts (Figure 4b).

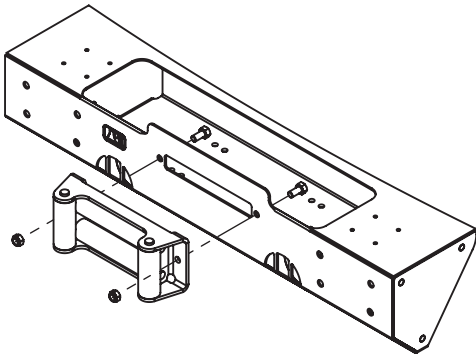


Figure 4a

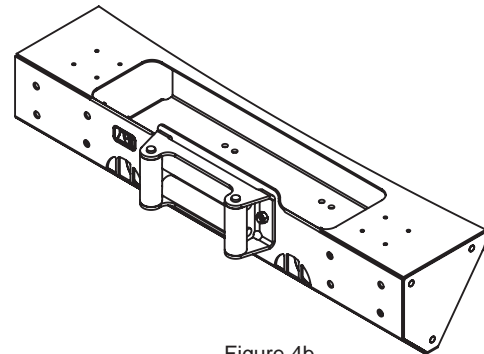


Figure 4b

5. If a Warn® Powerplant Winch is to be installed, Part Number 11540.15 Spacers will be needed. Installation of the Warn® Powerplant Winch is detail in the instructions for 11540.15. For all other winches, proceed to step 6.

6. Prepare winch and vehicle for installation as specified in winch installation instructions. Align holes in bumper as shown below (Figure 2a) with winch mounting holes (Figure 2b). It may be helpful to thread winch cable through fairlead before bolting it in place.

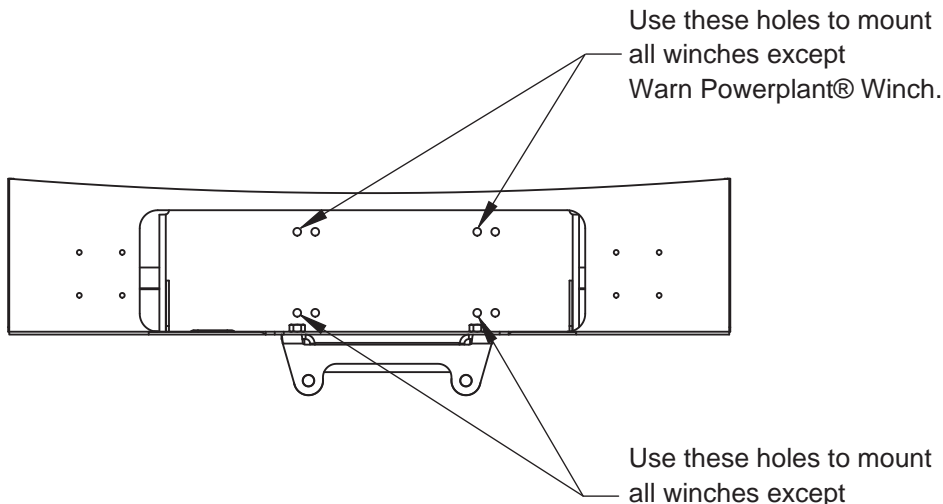


Figure 2a

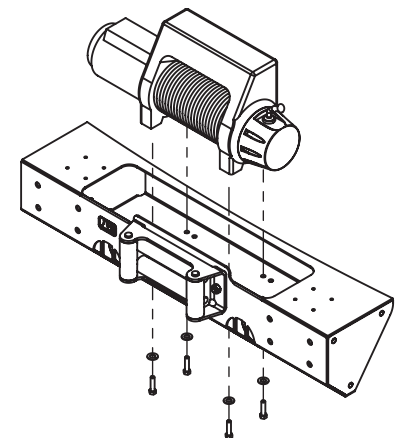
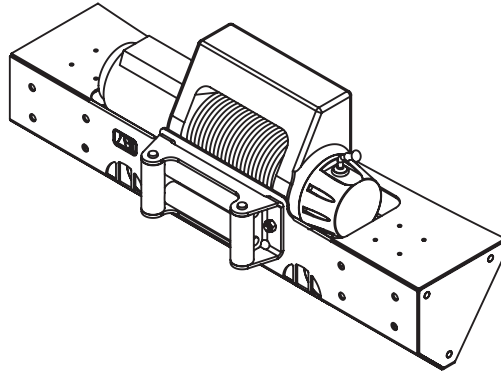
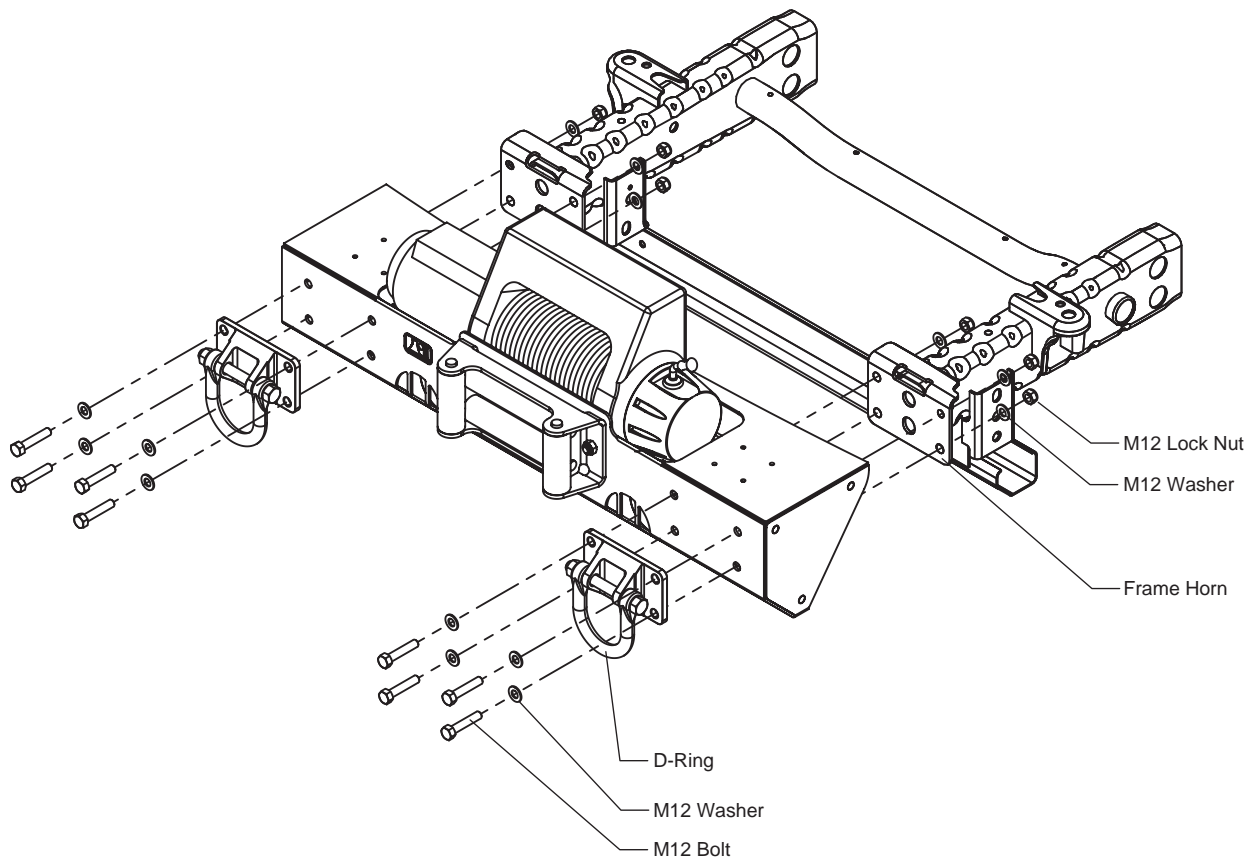


Figure 2b

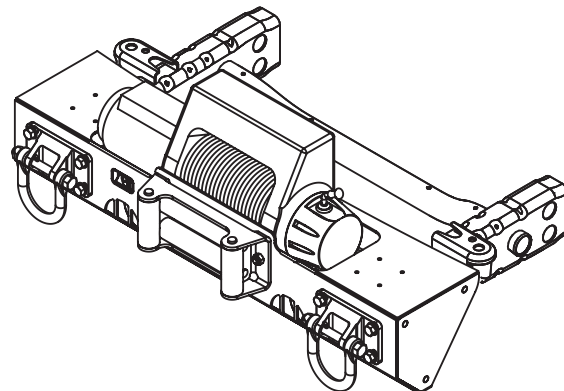
7. Once all 4 Winch bolts have been started, tighten them.



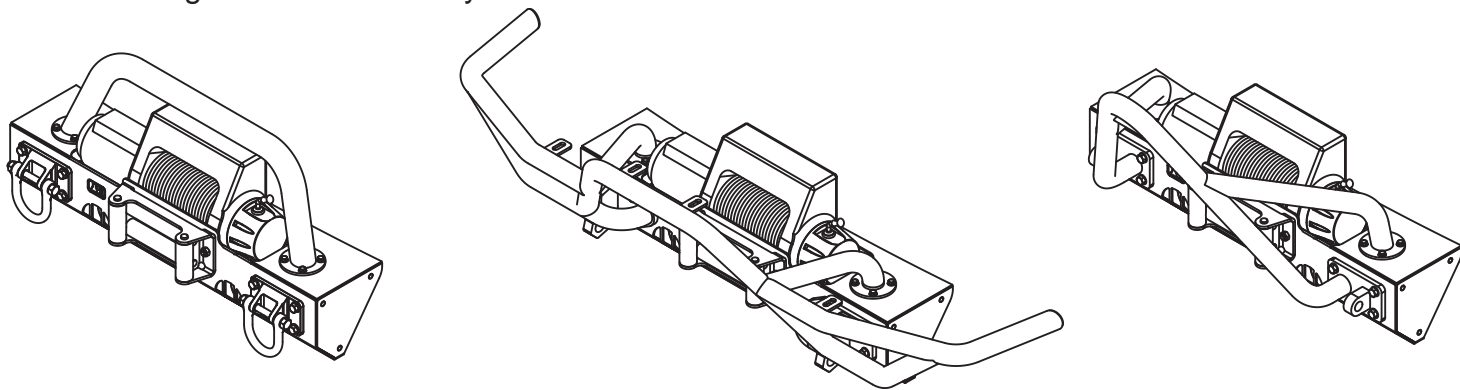
8. Place Center Section of Bumper onto the frame rails and then install the 12mm bolts (8), 12mm washers (8), D-Rings (2), more 12mm washers (8), and 12mm Lock Nuts. Don't tighten any of the fasteners yet. When installing D-Rings, note that the holes that are further apart should be on top. Note - If installing Stinger (11540.13) or RRC Hoop (11540.18) D-Rings will not be used. See instructions for those products at this point.



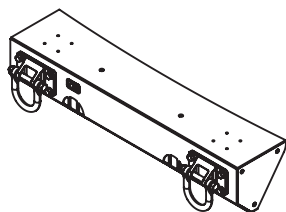
9. Tighten (8) bolts that were installed in Step 8.



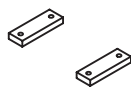
10. Installation of the Bumper is now complete! You may now install any hoops, auxiliary lighting, etc. Note: When used for vehicle recovery, only the D-Rings are to be used. Hoops are not to be used for towing or vehicle recovery.



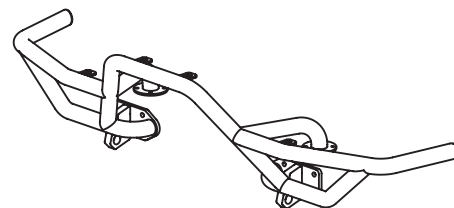
Congratulations on the purchase and installation of a quality Rugged Ridge product! Ask your retailer about the following additional accessories to the JK Modular HD Bumper:



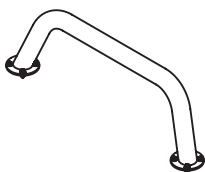
11540.11 - Non-winch Center Section



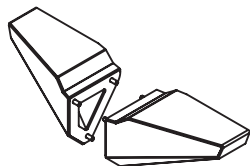
11540.15 - Optional Spacers for use with Warn® Powerplant Winch



11540.17 - Optional RRC Hoop



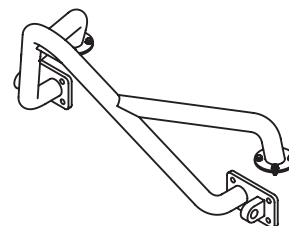
11540.14 - Optional Hoop - Black  
11540.16 - Optional Hoop - Stainless



11540.12 - Optional Bumper Ends



11540.17 - Optional Stainless D-Rings



11540.13 - Optional Stinger

**LIMITED 90 DAY WARRANTY**  
**Applies to Rugged Ridge by Omix-Ada Inc. Products**

Rugged Ridge Off Road (the Company) warrants to the original purchaser of this product that should the product or any part thereof, under normal use and conditions, be proven defective in material or workmanship within 90 DAYS from the date of original purchase, such defect(s) will be repaired or replaced or credited at the Company's sole option.

To obtain repair or replacement within the terms of this Warranty, the product is to be delivered with proof of warranty coverage (e.g. Dated bill of sale), specification of defect(s) to the place of purchase or, with prior approval from the Company (Return Authorization Number is required), freight pre-paid to the Company address listed below.

This warranty does not apply to any product or part thereof which, in the opinion of the Company, has suffered or been damaged through alteration, improper installation, mishandling, misuse, neglect, accident or by acts of nature. THE EXTENT OF THE COMPANY'S LIABILITY UNDER THIS WARRANTY IS LIMITED TO THE REPAIR OR REPLACEMENT PROVIDED ABOVE AND, IN NO EVENT, SHALL THE COMPANY'S LIABILITY EXCEED THE PURCHASE PRICE PAID BY PURCHASER FOR THE PRODUCT.

This Warranty is in lieu of all express warranties or liabilities. ANY IMPLIED WARRANTIES, INCLUDING ANY IMPLIED WARRANTY OF MERCHANTABILITY, SHALL BE LIMITED TO THE DURATION OF THIS WRITTEN WARRANTY. ANY ACTION FOR BREACH OF ANY WARRANTY HEREUNDER INCLUDING ANY IMPLIED WARRANTY OF MERCHANTABILITY MUST BE BROUGHT WITHIN THE PERIOD OF 90 DAYS FROM DATE OF ORIGINAL PURCHASE.

IN NO CASE SHALL THE COMPANY BE LIABLE FOR ANY CONSEQUENTIAL OR INCIDENTAL DAMAGES FOR BREACH OF THIS OR ANY OTHER WARRANTY, EXPRESS OR IMPLIED, WHATSOEVER. No person or representative is authorized to assume for the Company any liability other than expressed herein in connection with the sale of this product.

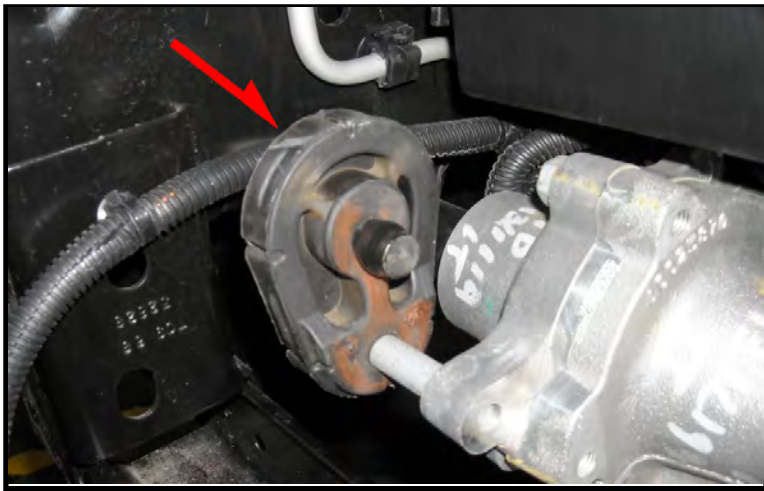
Some States do not allow limitations on how long an implied warranty lasts or the exclusion or limitation of incidental or consequential damage, so the above limitations may not apply to you. This warranty gives you specific legal rights and you may also have other rights, which vary from state to state.

Omix-Ada Inc.  
460 Horizon Dr. Suite 400  
Suwanee, Georgia 30024

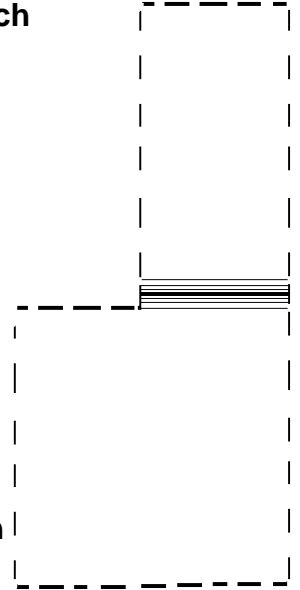
**2009 - 2010 JK RUBICON ELECTRONIC SWAY-BAR DISCONNECT**

**NOTICE:** Production changes to the rubber isolator used to secure the electronic sway-bar disconnect may cause interference with XHD bumper during installation. Modification to the winch plate will be needed to allow bumper to fit correctly. Jeep models requiring modification are some 2009 - 2010 JK Rubicons (2dr & 4dr) and optional kits installed by MOPAR dealers during the 2009 and 2010 model year.

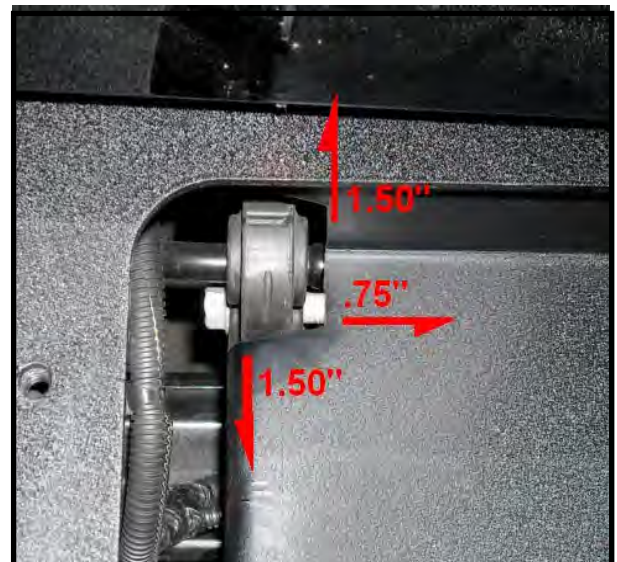
1. With plastic front bumper removed place XHD bumper onto frame and note location of electronic sway-bars upper isolator. If isolator makes contact with XHD bumper modified will be needed to allow larger isolator to clear lower section of winch mounting plate.



Template : Cutout and use as guide for winch plate modification.



2. If correction is needed mark lower left corner of winch plate using cutout template provided above. Template cut lines should be .75" inbound from outer edge and 1.50" up and forward of the bend. After cutting marked area away test fit to frame and confirm bumper does not make contact with isolator. Sand and smooth cut surface. Apply flat black paint to all exposed metal and allow to dry before reinstalling bumper. XHD should be installed following instructions supplied with bumper. .



# 11540.10 XHD Winch Bumper 2012 Vac Pump Relocation Bracket



## Installation Instructions: 2012 - Up (11540.01.01 & .02) 2DR & 4DR Unlimited

### Contents:

- (1) "L" Relocation Bracket
- (2) "Z" Large Relocation Bracket
- (3) M6-1.0x30 Hex Head Bolt
- (7) M6 Flat Washer
- (3) M6 Nylock Nut



Follow factory bumper removal instructions supplied with 11540.10 XHD instructions

Step 1: Unbolt vacuum pump from factory mounting bracket. Save factory M6 nut. It will be reused later.



Step 2: Remove front frame mounting tab. Cut will be made 2" from the end.



Step 3: Clean cut area and apply black paint to frame.



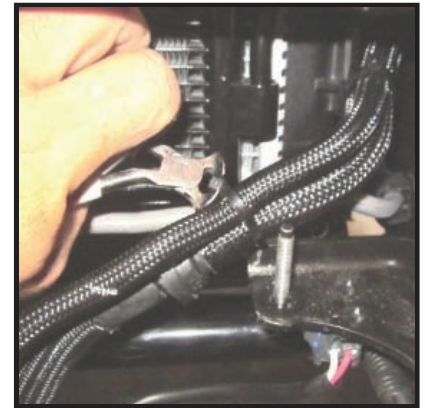
Step 4: Slide XHD bumper onto frame and make sure cut tab does not make contact.



Step 5: Disconnect hose retainer clip from driver's side frame rail next to radiator.



Step 6: Remove Zip Ties holding air lines together.



Omix-Ada Inc.  
460 Horizon Dr. Suite 400  
Suwanee, Georgia 30024



**Installation Instructions: 2012 - Up (11540.01.01 & .02) 2DR & 4DR Unlimited**

Step 7: Attach large "Z" to rear factory mounting stud. Secure using OE nut removed in step #1.



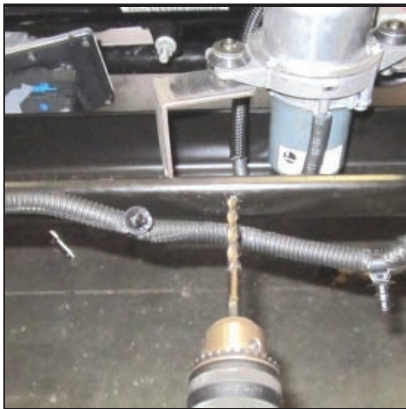
Step 8. Bolt pump to "Z" bracket using M6 hex bolt, washer and Nylock nut. Rotate pump so that it does not make contact with lower cross member.



Step 9: Attach small "L" bracket to pump using M6 hex bolt, washer and Nylock nut. Short side of bracket should be attached to pump.



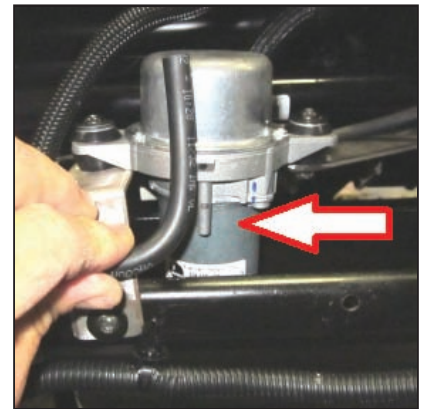
Step 10: With pump centered mark mounting hole on cross member. Drill mounting hole using 1/4" drill bit.



Step 11: Secure "L" bracket to lower cross member using M6 hex bolt, flat washer and Nylock nut.



Step 12: Check small air line. If line makes contact with lower cross member cut about 1" from hose.



Step 13: Inspect all air and wire lines for contact with frame. If needed Zip Ties can be used to reposition lines.

Step 14: Install 11540.10 XHD bumper following installation instructions supplied with bumper.