

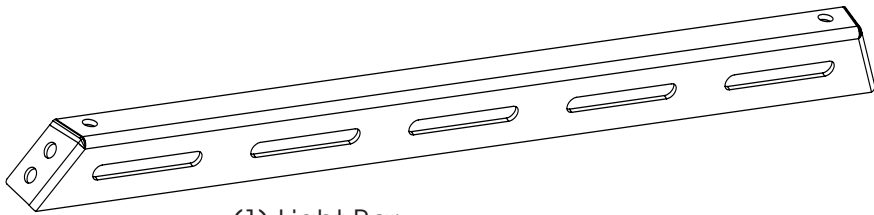
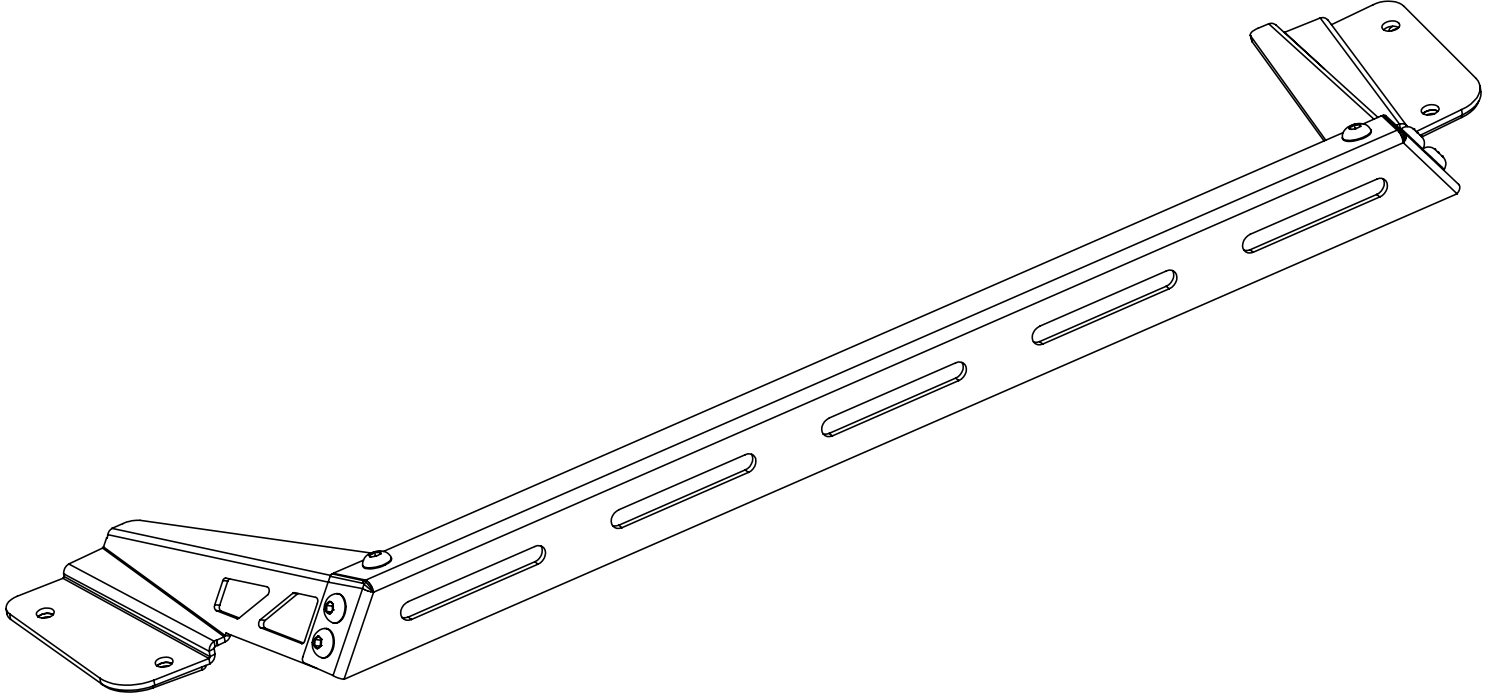


OMIX-ADA, Inc.

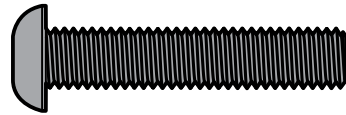
460 HORIZON DR. SUITE 100 | SUWANEE, GA 30024 | PHONE: 770-614-6101 | FAX: 770-614-6069 | info@omix-ada.com

Part # 11232.09

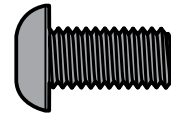
JEEP® TJ HOOD MOUNT LIGHT BAR



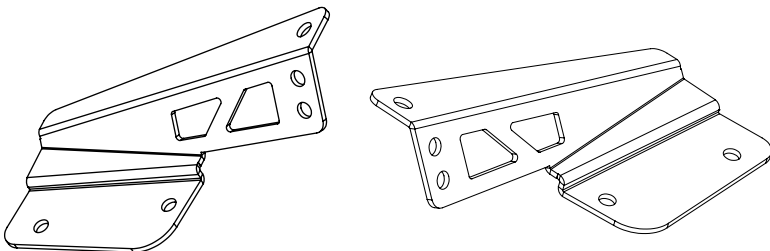
(1) Light Bar



(4) Long Bolts



(6) Short Bolts



(1) Hood Mount Arm LH

(1) Hood Mount Arm RH

OMIX-ADA® TECHNICAL SUPPORT

PHONE: M-F 8am - 5pm EST 1-800-449-6649 | **EMAIL:** techsupport@omix-ada.com

FOR WARRANTY INFORMATION VISIT: www.Omix-Ada.com



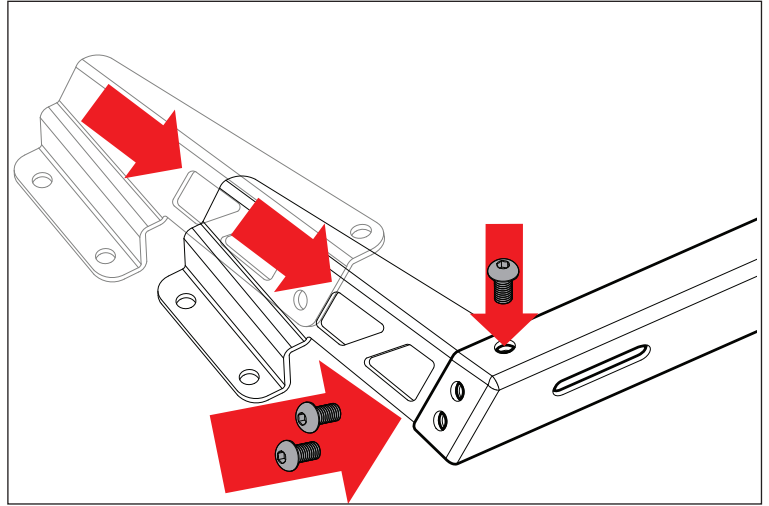
OMIX-ADA, Inc.

460 HORIZON DR. SUITE 100 | SUWANEE, GA 30024 | PHONE: 770-614-6101 | FAX: 770-614-6069 | info@omix-ada.com

Part # 11232.09

JEEP® TJ HOOD MOUNT LIGHT BAR

1: Attach Hood Mount Arms to Light Bar using short bolts .



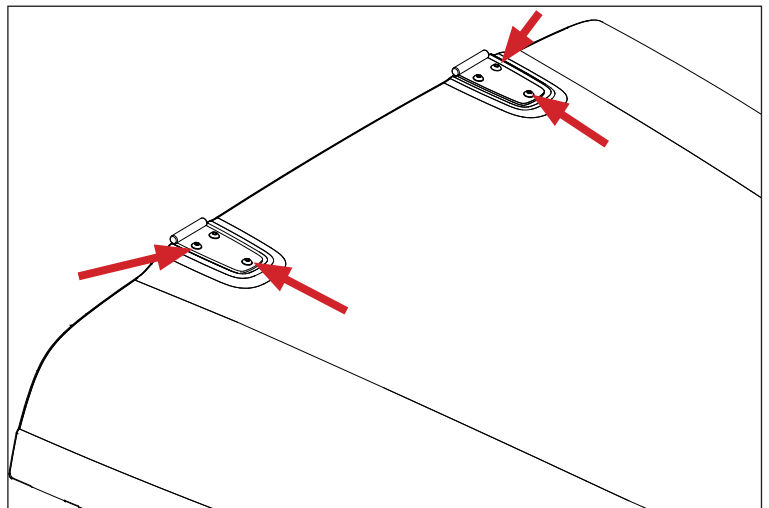
2: Remove 4 hood hinge bolts using a T40 Torx bit.

NOTICE

Do not remove the 2 inward hinge bolts; remove only the 2 forward and 2 outward hinge bolts, as indicated in the image.

NOTICE

Do not open/move the hood while hinge bolts are detached to prevent any possible damage or misalignment.



3: Attach Hood Mount Light Bar to hood using supplied Long Bolts.

